

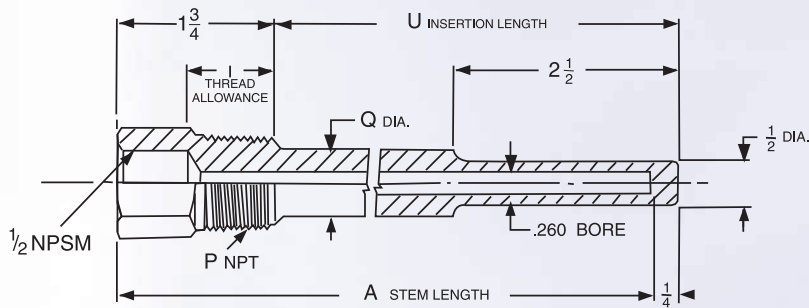
THERMOWELLS FOR BIMETAL THERMOMETERS

APPLICATION:

Fits 1/4" stem diameter, bimetal thermometers.
Standard thermowell is stepped to 1/2" OD except 2-1/2" insertion. Please specify if straight shank is required.

MODEL 2SS

Without lagging extension for 1/4" diameter stem



PROCESS CONNECTION SIZE:

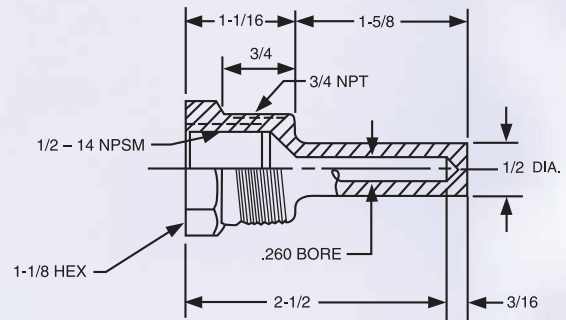
3/4" is standard. Other thread sizes available upon request.

MATERIALS

Brass, 304SS, 316SS. Other materials available upon request.

MODEL 2LS

Limited space thermowell for 2 1/2" stem.

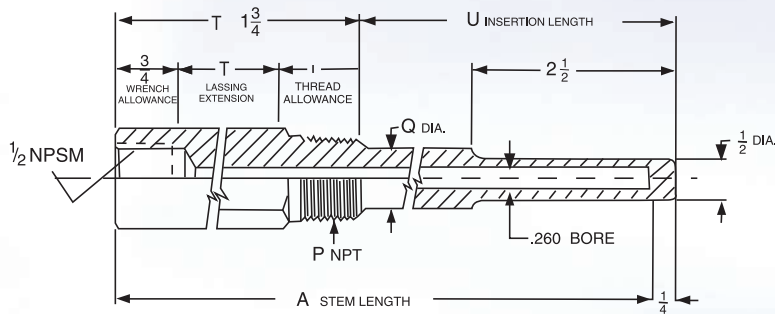


3/4 NPT - CATALOG NUMBERS

A	U	Q	BRASS	304SS	316SS
4	2 1/2	-	2SS413	2SS443	2SS463
6	4 1/2	3/4	2SS613	2SS643	2SS663
9	7 1/2	3/4	2SS913	2SS943	2SS963
12	10 1/2	3/4	2SS1213	2SS1243	2SS1263

MODEL 2SL

With lagging extension for 1/4" diameter stem



3/4 NPT - CATALOG NUMBERS

	BRASS	304SS	316SS
3/4 NPT	2LS213	2LS243	2LS263

Brass wells are not recommended for installations involving high pressures and/or temperatures over 400°F.

3/4 NPT - CATALOG NUMBERS

A	U	T	Q	BRASS	304SS	316SS
4	1 1/2	1	-	2SL413	2SL443	2SL463
6	2 1/2	2	-	2SL613	2SL643	2SL663
9	4 1/2	3	3/4	2SL913	2SL943	2SL963
12	7 1/2	3	3/4	2SL1213	2SL1243	2SL1263

CAP & CHAIN:

Available upon request for keeping thermowell bore clean when not in use. (Not shown)