

# REMOTE MOUNTED VAPOR ACTUATED DIAL THERMOMETER - 4 1/2" DIAL MODEL VR45P

## STANDARD FEATURES

- 4 1/2" dial size
- Glass reinforced Phenolic case
- Stainless steel snap ring
- Glass lens
- Aluminum dial, white finish, black markings
- Progressive graduations offer ideal reading in the upper two thirds of the range
- For standard ranges see page 23
- Adjustable pointer
- Precision geared brass movement
- + or 1 scale division accuracy
- 5ft. bronze braided capillary tubing standard. Additional tubing lengths and materials available
- Brass thermowell, 1/2" NPT standard. 2" "U" dimension below thread. Additional sizes, threads and materials available. See page 23.



**MODEL VR45P**

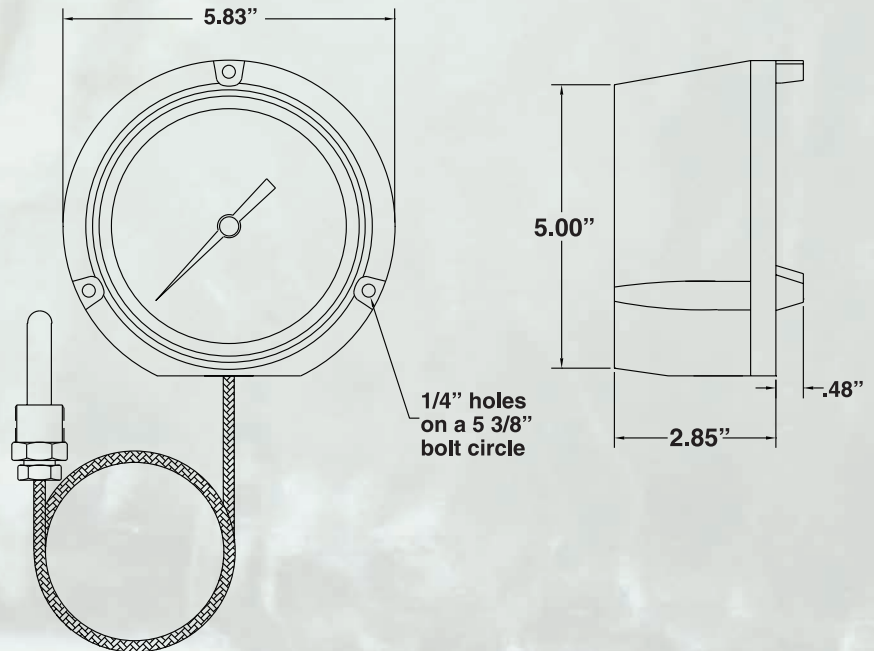
22

## STANDARD RANGES

CODE	FAHRENHEIT
01	-40/65F
02	-20/120F
03	20/220F
04	30/300F

CODE	CELSIUS
05	-40/20C
06	0/100C

CODE	DUAL SCALE F & C
07	-40/65F & -40/20C
08	-20/120F & -30/50C
09	20/220F & 0/105C
10	30/300F & 0/150C



HOW TO ORDER - PLEASE SPECIFY THE FOLLOWING:				
MODEL #	RANGE CODE	TUBING LENGTH	IMMERSION LENGTH	THERMOWELL CATALOG NO.
<b>VR45P</b>	<b>2 digit code</b> from table	<b>05</b> = 5 FT. <b>10</b> = 10 FT. <b>ETC.</b>	<b>2</b> = 2.25" <b>4</b> = 4.25"	<b>See Page 23</b>

Customer \_\_\_\_\_  
 Project \_\_\_\_\_  
 Engineer \_\_\_\_\_  
 PRO or P.O. # \_\_\_\_\_

Weksler Glass Thermometer Corporation  
 3295 Cobb International Blvd. • Kennesaw, GA 30152  
 Telephone: 888-650-6923 • Fax: 770-429-0795 E-mail:  
 Sales@WekslerGlass.com • Website: www.WekslerGlass.com