

6" PROCESS GAUGE STAINLESS STEEL BOURDON TUBE AND SOCKET MODEL HA46-Y & MODEL HY46-Y

STANDARD FEATURES

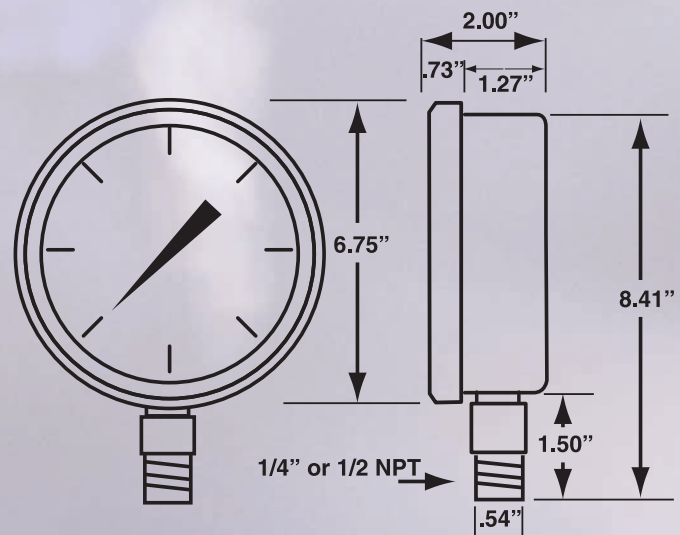
- 6" dial size
- 316 stainless steel bourbon tube and socket
- Heavy duty stainless steel movement with underload and overload stops
- Stainless steel case available dry or factory glycerin filled.
- Field fillable
- 1/2% full scale accuracy per ASME B40.1 Grade 2A
- Balanced micrometer adjustable pointer
- 1/4" or 1/2" NPT bottom connection
- Laminated Safety Glass

STANDARD RANGES

RANGE	CODE	FIGURES	GRADUATIONS
30" /0 VAC	P2	5" HG	0.2"
30" -0-15	P3	10" HG/5 PSI	1" HG/5 PSI
30" -0-30	P4	10" HG/5 PSI	1" HG/5 PSI
30" -0-60	P5	10" HG/10 PSI	1" HG/1 PSI
30" -0-100	P6	10" HG/20 PSI	1" HG/1 PSI
30" -0-150	P7	10" HG/30 PSI	1" HG/2 PSI
30" -0-200	P9	10" HG/50 PSI	1" HG/2 PSI
30" -0-300	P8	10" HG/50 PSI	1" HG/5 PSI
30" -0-600	C2	10" HG/100 PSI	1" HG/10 PSI
0-15 PSI	PA	3 PSI	0.2 PSI
0-30 PSI	PB	5 PSI	0.2 PSI
0-60 PSI	PC	5 PSI	0.5 PSI
0-100 PSI	PD	10 PSI	1 PSI
0-160 PSI	PE	20 PSI	1 PSI
0-200 PSI	PF	20 PSI	2 PSI
0-300 PSI	PG	50 PSI	2 PSI
0-400 PSI	PH	50 PSI	2 PSI
0-600 PSI	PI	50 PSI	5 PSI
0-1000 PSI	PK	100 PSI	10 PSI
0-1500 PSI	PL	250 PSI	10 PSI
0-2000 PSI	PM	200 PSI	20 PSI
0-3000 PSI	PN	500 PSI	20 PSI
0-5000 PSI	PO	1000 PSI	50 PSI
0-10,000 PSI	PP	1000 PSI	100 PSI
0-15,000 PSI	PR	2,500 PSI	100 PSI
0-20,000 PSI	PS	2,000 PSI	200 PSI



◀ **MODEL HA46-Y**



HOW TO ORDER - PLEASE SPECIFY THE FOLLOWING:

MODEL #	RANGE	CONNECTION SIZE	CONNECTION LOCATION
HA46-Y (dry case)	2 digit code from table	4 = 1/4" NPT	L = Lower
HY46-Y (filled case)		2 = 1/2" NPT	

Customer _____
 Project _____
 Engineer _____
 PRO or P.O. # _____

Weksler Glass Thermometer Corporation
 3295 Cobb International Blvd. • Kennesaw, GA 30152
 Telephone: 888-650-6923 • Fax: 770-429-0795 E-mail:
 Sales@WekslerGlass.com • Website: www.WekslerGlass.com