

# 4 1/2" CONTRACTOR GAUGE BRASS BOURDON TUBE AND SOCKET MODEL EA14

## STANDARD FEATURES

- 4 1/2" dial size
- Phosphor bronze bourdon tube and brass connection
- Brass movement
- Corrosion resistant stainless steel case and ring
- Recalibrator in face of gauge
- 1% full scale accuracy per ASME B40.1 Grade 1A
- 1/4" NPT bottom connection
- Suitable for water, air, oil, gas or any medium not corrosive to copper alloys
- Siphon required for steam applications



**MODEL EA14** ▶

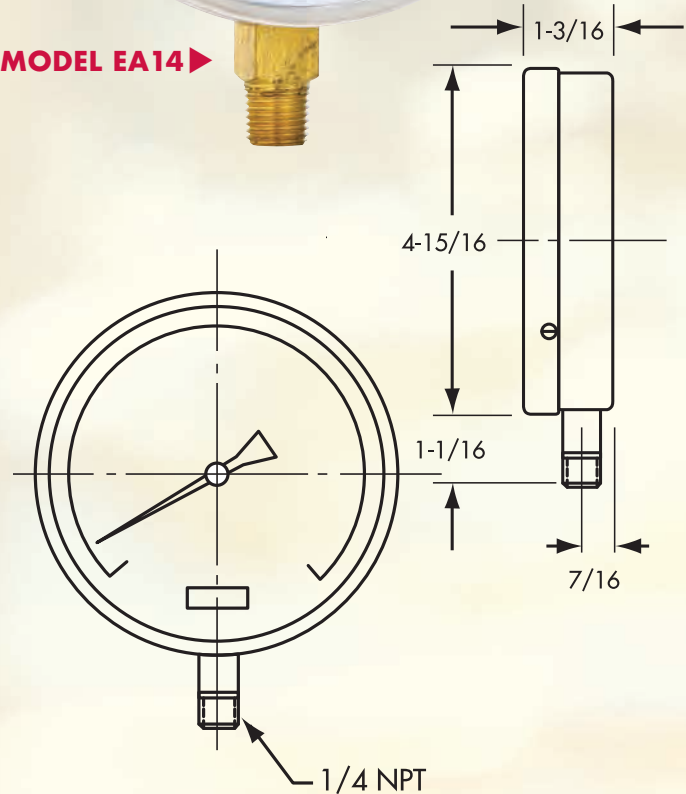
## PRESSURE RANGES

CATALOG NO.	DIAL RANGE	FIGURE INTERVALS	SMALLEST GRADUATION
SINGLE SCALE	PSI ONLY	PSI	PSI
<b>EA14-2</b>	0-15	1	.25
<b>EA14-A</b>	0-30	5	.5
<b>EA14-B</b>	0-60	10	1
<b>EA14-C</b>	0-100	10	1
<b>EA14-D</b>	0-160	20	2
<b>EA14-E</b>	0-200	20	2
<b>EA14-F</b>	0-300	50	5
<b>EA14-G</b>	0-500	50	5

## VACUUM/COMPOUND RANGES

CATALOG NO.	DIAL RANGE	FIGURE INTERVALS	SMALLEST GRADUATION
SINGLE SCALE	PSI ONLY	PSI	PSI
<b>EA14-H</b>	30"-0" HG VAC	5" HG	.5 HG
<b>EA14-J</b>	30"-0-30	10" HG/10 PSI	1" HG/1 PSI
<b>EA14-K</b>	30"-0-100	15" HG/10 PSI	5" HG/1 PSI
<b>EA14-L</b>	30"-0-150	30" HG/25 PSI	5" HG/5 PSI
<b>EA14-M</b>	30"-0-300	20" HG/50 PSI	5" HG/5 PSI

\*Dual Scale PSI and KPA also available



CAT. NO.	DIAL RANGE	FIGURES	GRADUATIONS
DUAL SCALE	PSI / WATER	PSI / FT	PSI / FT
<b>EA14BALT</b>	0/60 PSI & 0/140 FT	10 / 20	1 / 2
<b>EA14CALT</b>	0/100 PSI & 0/230 FT	10 / 25	2 / 5
<b>EA14DALT</b>	0/160 PSI & 0/375 FT	20 / 50	2 / 5
<b>EA14EALT</b>	0/200 PSI & 0/460 FT	20 / 25	2 / 5

Customer \_\_\_\_\_  
 Project \_\_\_\_\_  
 Engineer \_\_\_\_\_  
 PRO or P.O. # \_\_\_\_\_

Weksler Glass Thermometer Corporation  
 3295 Cobb International Blvd. • Kennesaw, GA 30152  
 Telephone: 888-650-6923 • Fax: 770-429-0795 E-mail:  
 Sales@WekslerGlass.com • Website: www.WekslerGlass.com