

DIAPHRAGM SEALS MODEL DW-T & DW-TF

Continuous Duty Welded Diaphragm

Diaphragm seals are used to prevent the process fluid from entering the instrument.

FEATURES:

- The Diaphragm on the DW-T and DW-TF model is welded to the top housing of the diaphragm seal to allow for removal of the gauge and diaphragm assembly without loss of fill fluid.
- Top housing steel or 316 stainless steel
- 316 stainless steel diaphragm*
- 1/4" NPT or 1/2" NPT female gauge connection
- Bottom housing steel or 316 stainless steel is standard
- Bottom housing thread size 1/4" thru 1" NPT**
- Available with 1/4" NPT flushing connection (Model DW-TF)
- Pressure rated to 2500 PSI

* Other diaphragm materials available.

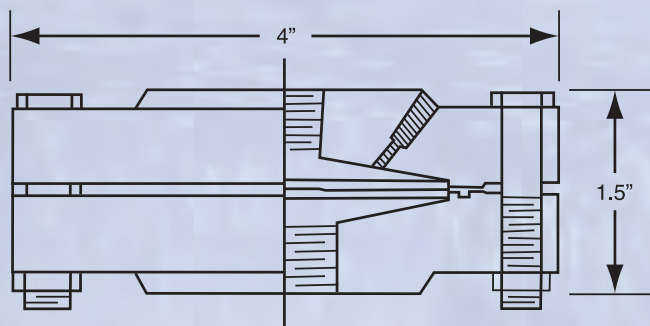
** Other process connection sizes available.

Contact factory for additional information.

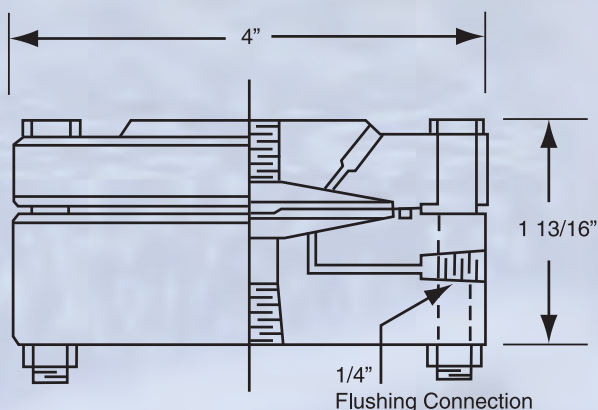


MODEL DW-T ▶

MODEL DW-T



MODEL DW-TF (with flushing connection)



HOW TO ORDER - PLEASE SPECIFY THE FOLLOWING:

MODEL #	GAUGE CONNECTION	PROCESS CONNECTION	TOP HOUSING MATERIAL	DIAPHRAGM MATERIAL	BOTTOM HOUSING MAT.	FILL FLUID
DW-T	4 = 1/4" NPT	1 = 1/4" NPT 3 = 3/4" NPT	3 = STEEL	4 = 316 ST. ST.	3 = STEEL	G = GLYCERIN
DW-TF	2 = 1/2" NPT	2 = 1/2" NPT 4 = 1" NPT	4 = 316 ST. ST.		4 = 316 ST. ST.	O = INST. OIL S = SILICONE

Customer _____
 Project _____
 Engineer _____
 PRO or P.O. # _____

Weksler Glass Thermometer Corporation
 3295 Cobb International Blvd. • Kennesaw, GA 30152
 Telephone: 888-650-6923 • Fax: 770-429-0795 E-mail:
 Sales@WekslerGlass.com • Website: www.WekslerGlass.com