

# 8.5" GENERAL SERVICE GAUGE BRASS BOURDON TUBE AND SOCKET MODEL 85RL4

## STANDARD FEATURES

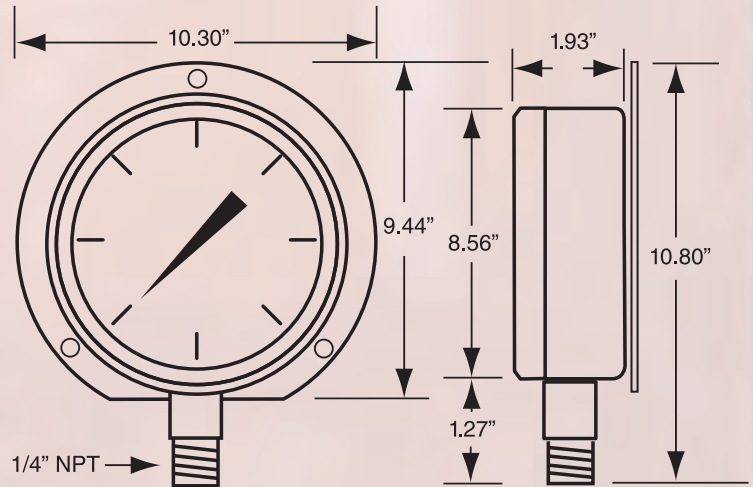
- 8.5" dial size
- Brass bourdon tube and socket
- Brass movement
- Heavy duty black steel case with back flange
- 1% full scale accuracy per ASME B40.1 Grade 1A
- 1/4" NPT bottom connection
- Glass lens
- White scale with black graduations and numerals
- Suitable for water, air, oil, gas or any medium not corrosive to copper alloys
- Siphon required for steam applications



**MODEL 85RL4** ▶

## PRESSURE/VACUUM RANGES

RANGE	CODE	MAJOR INC.	MINOR INC.
30" /0 VAC	P2	5" HG	2" HG
30" -0-30	P4	10" HG/5 PSI	1" HG/1 PSI
30" -0-60	P5	10" HG/10 PSI	2" HG/1 PSI
0-15 PSI	PA	2 PSI	0.1 PSI
0-30 PSI	PB	5 PSI	0.5 PSI
0-60 PSI	PC	10 PSI	1 PSI
0-100 PSI	PD	10 PSI	1 PSI
0-160 PSI	PE	20 PSI	2 PSI
0-200 PSI	PF	20 PSI	2 PSI
0-300 PSI	PG	50 PSI	5 PSI
0-600 PSI	PI	100 PSI	10 PSI



### HOW TO ORDER - PLEASE SPECIFY THE FOLLOWING:

MODEL #	RANGE
<b>85RL4</b>	<b>2 digit code</b> from table

Customer \_\_\_\_\_  
 Project \_\_\_\_\_  
 Engineer \_\_\_\_\_  
 PRO or P.O. # \_\_\_\_\_

Weksler Glass Thermometer Corporation  
 3295 Cobb International Blvd. • Kennesaw, GA 30152  
 Telephone: 888-650-6923 • Fax: 770-429-0795 E-mail:  
 Sales@WekslerGlass.com • Website: www.WekslerGlass.com