

4 1/2" GENERAL SERVICE GAUGE BRASS BOURDON TUBE AND SOCKET MODEL 45RL4

STANDARD FEATURES

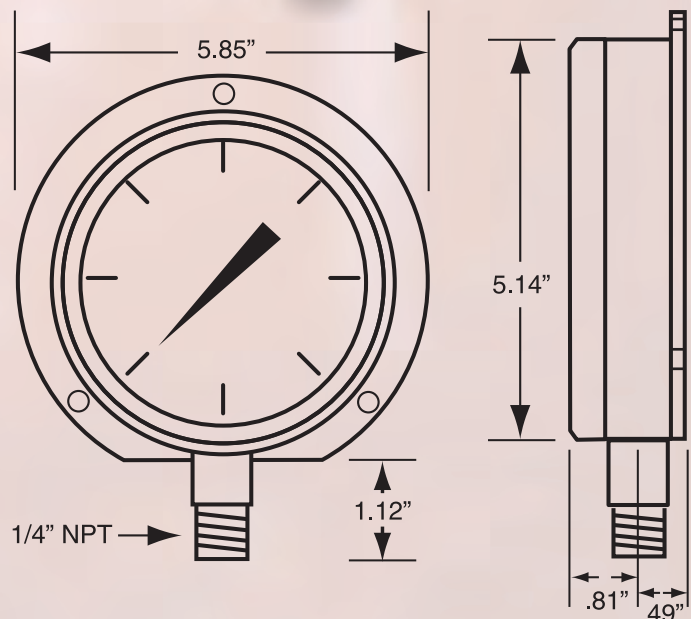
- 4 1/2" dial size
- Brass bourdon tube and socket
- Brass movement
- Glass reinforced plastic case
- 1% full scale accuracy per ASME B40.1 Grade 1A
- 1/4" NPT bottom connection
- Glass lens
- White scale with black graduations and numerals
- Suitable for water, air, oil, gas or any medium not corrosive to copper alloys
- Siphon required for steam applications



MODEL 45RL4 ▶

STANDARD RANGES

| RANGE | CODE | FIGURES | GRADUATIONS |
|------------|------|--------------|-------------|
| 30" /0 VAC | P2 | 5" HG | 1" HG |
| 30" -0-15 | P3 | 10"HG/5 PSI | 2"HG/1 PSI |
| 30" -0-30 | P4 | 10"HG/5 PSI | 2"HG/1 PSI |
| 30" -0-60 | P5 | 10"HG/10 PSI | 1"HG/1 PSI |
| 30" -0-100 | P6 | 30"HG/20 PSI | 5"HG/2 PSI |
| 30" -0-150 | P7 | 30"HG/20 PSI | 5"HG/2 PSI |
| 30" -0-300 | P8 | 30"HG/50 PSI | 0"HG/10 PSI |
| 0-15 PSI | PA | 2 PSI | 0.1 PSI |
| 0-30 PSI | PB | 5 PSI | 1 PSI |
| 0-60 PSI | PC | 10 PSI | 1 PSI |
| 0-100 PSI | PD | 10 PSI | 1 PSI |
| 0-160 PSI | PE | 20 PSI | 2 PSI |
| 0-200 PSI | PF | 20 PSI | 2 PSI |
| 0-300 PSI | PG | 50 PSI | 5 PSI |
| 0-400 PSI | PH | 50 PSI | 5 PSI |
| 0-600 PSI | PI | 50 PSI | 10 PSI |
| 0-600 PSI | PI | 50 PSI | 10 PSI |
| 0-1000 PSI | PK | 100 PSI | 10 PSI |



HOW TO ORDER - PLEASE SPECIFY THE FOLLOWING:

| MODEL # | RANGE |
|--------------|--------------------------------|
| 45RL4 | 2 digit code from table |

Customer _____
 Project _____
 Engineer _____
 PRO or P.O. # _____

Weksler Glass Thermometer Corporation
 3295 Cobb International Blvd. • Kennesaw, GA 30152
 Telephone: 888-650-6923 • Fax: 770-429-0795 E-mail:
 Sales@WekslerGlass.com • Website: www.WekslerGlass.com