

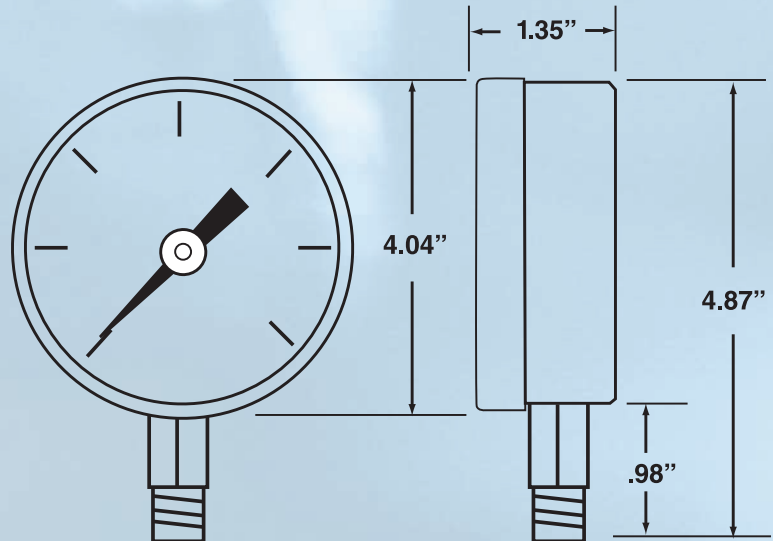
4" AMMONIA GAUGE SS BOURDON TUBE AND STEEL SOCKET MODEL 40TL4-AMM

STANDARD FEATURES

- 4" dial size
- SS Bourdon tube and steel socket
- Chrome plated steel case
- 1/4" NPT, bottom connection
- Plastic, twist-off lens
- Accuracy: 3/2/3% per ASME B40.1 Grade B
- White scale with black graduations and numerals
Ammonia temperature in red



MODEL 40TL4-AMM ▶



STANDARD RANGE

RANGE	CODE
30"/0/150 PSI & -100/0/80°F	P7AMM
30"/0/300 PSI & -100/0/120°F	P8AMM

HOW TO ORDER - PLEASE SPECIFY THE FOLLOWING:

MODEL #	RANGE
40TL4	5 digit code from table

Customer _____
 Project _____
 Engineer _____
 PRO or P.O. # _____

Weksler Glass Thermometer Corporation
 3295 Cobb International Blvd. • Kennesaw, GA 30152
 Telephone: 888-650-6923 • Fax: 770-429-0795 E-mail:
 Sales@WekslerGlass.com • Website: www.WekslerGlass.com