

3.5" SPRINKLER GAUGE COPPER ALLOY BOURBON TUBE AND SOCKET MODEL 35TL4PG-UL

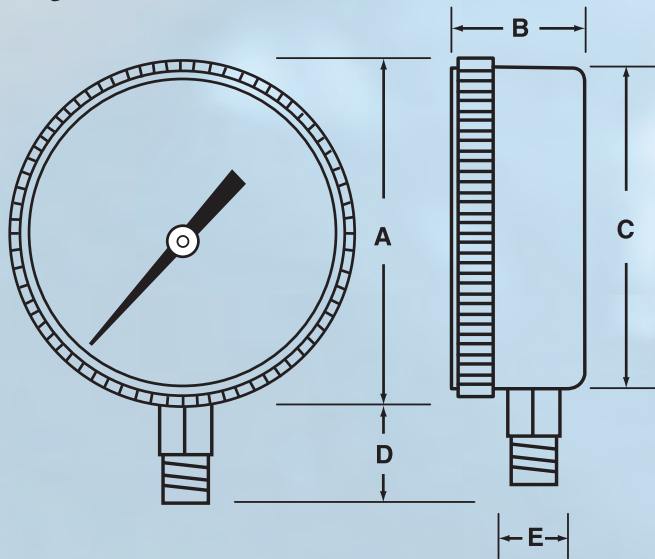
UL listed/FM approved gauge designed for use on fire protection/sprinkler systems.

STANDARD FEATURES

- 3.5" dial size
- Copper Alloy Bourbon tube and socket
- Black plastic case
- 1/4" NPT, bottom connection
- Plastic twist-on lens
- Accuracy: 3/2/3% per ASME B40.1 Grade B
- White scale with black graduations and numerals
- Range: 0/300 PSI



MODEL 35TL4PG-UL



Dial	Unit	A	B	C	D	E
3 1/2"	In.	3.85"	1.19"	3.71"	1.08"	1/4" NPT
	mm	97.8	30.2	94	28	

STANDARD RANGE

RANGE	CODE	FIGURES	GRADUATIONS
0/300 PSI	PG	25 PSI	5 PSI

HOW TO ORDER - PLEASE SPECIFY THE FOLLOWING:

MODEL #	RANGE	UL LISTED
35TL4	PG	UL

Customer _____
 Project _____
 Engineer _____
 PRO or P.O. # _____

Weksler Glass Thermometer Corporation
 3295 Cobb International Blvd. • Kennesaw, GA 30152
 Telephone: 888-650-6923 • Fax: 770-429-0795 E-mail:
 Sales@WekslerGlass.com • Website: www.WekslerGlass.com