

# 2 1/2" UTILITY GAUGE BRASS BOURDON TUBE AND SOCKET MODEL 25TL4

## STANDARD FEATURES

- 2 1/2" dial size
- Brass bourdon tube and socket
- Brass movement
- Black steel case with chrome bezel
- 1/4" NPT bottom connection
- Accuracy: 3/2/3% per ASME B40.1 Grade B
- White scale with black graduations and numerals  
Metric readings in blue
- Suitable for water, air, oil, gas or any medium not  
corrosive to copper alloys
- Siphon required for steam applications

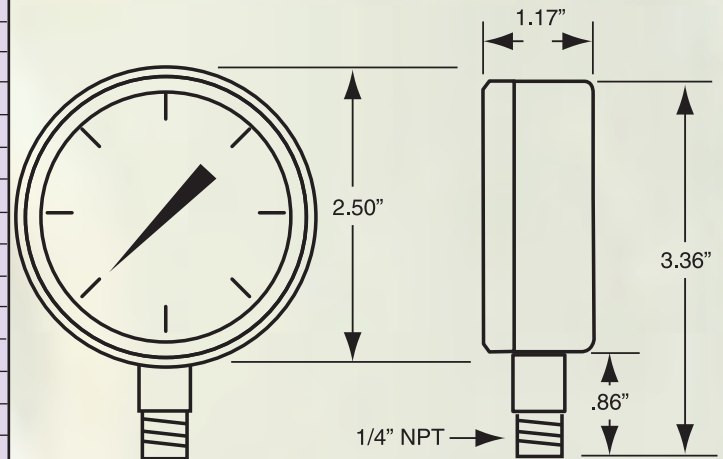


**MODEL 25TL** ▶

## STANDARD RANGES

| RANGE      | CODE | FIGURES        | GRADUATIONS  |
|------------|------|----------------|--------------|
| 30"/0 VAC  | P2   | 5" HG          | 0.5" HG      |
| 30"/0/15   | P3   | 10"HG / 5 PSI  | 1"HG/ .5 PSI |
| 30"/0/30   | P4   | 10"HG / 10 PSI | 1"HG / 1 PSI |
| 30"/0/60   | P5   | 10"HG / 10 PSI | 2"HG / 1 PSI |
| 30"/0/100  | P6   | 30"HG / 20 PSI | 5"HG / 2 PSI |
| 30"/0/150  | P7   | 30"HG / 20 PSI | 5"HG / 2 PSI |
| 30"/0/300  | P8   | 30"HG / 50 PSI | 5"HG / 5 PSI |
| 0/15 PSI   | PA   | 2 PSI          | 0.1 PSI      |
| 0/30 PSI   | PB   | 5 PSI          | 0.5 PSI      |
| 0/60 PSI   | PC   | 10 PSI         | 1 PSI        |
| 0/100 PSI  | PD   | 20 PSI         | 2 PSI        |
| 0/160 PSI  | PE   | 20 PSI         | 2 PSI        |
| 0/200 PSI  | PF   | 40 PSI         | 5 PSI        |
| 0/300 PSI  | PG   | 50 PSI         | 5 PSI        |
| 0/400 PSI  | PH   | 50 PSI         | 5 PSI        |
| 0/600 PSI  | PI   | 100 PSI        | 10 PSI       |
| 0/1000 PSI | PK   | 200 PSI        | 20 PSI       |

*Note: Standard scales read PSI, KPA and BAR.*



### HOW TO ORDER - PLEASE SPECIFY THE FOLLOWING:

| MODEL #      | RANGE                          |
|--------------|--------------------------------|
| <b>25TL4</b> | <b>2 digit code</b> from table |

Customer \_\_\_\_\_  
 Project \_\_\_\_\_  
 Engineer \_\_\_\_\_  
 PRO or P.O. # \_\_\_\_\_

Weksler Glass Thermometer Corporation  
 3295 Cobb International Blvd. • Kennesaw, GA 30152  
 Telephone: 888-650-6923 • Fax: 770-429-0795 E-mail:  
 Sales@WekslerGlass.com • Website: www.WekslerGlass.com