

2 1/2" LOW PRESSURE GAUGE BRASS CAPSULE AND SOCKET MODEL 25KL4

STANDARD FEATURES

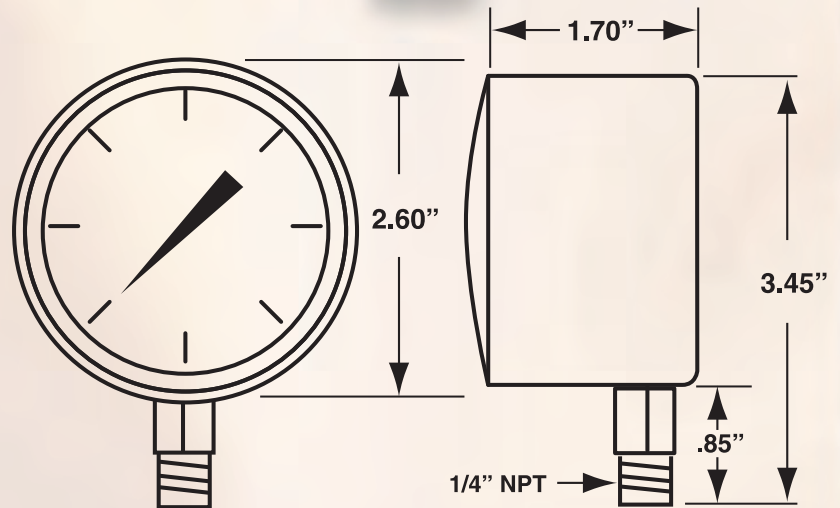
- 2 1/2" dial size
- Brass internals and connection
- Brass movement
- Chrome case with twist lock plastic lens
- 1/4" NPT bottom connection
- Accuracy: 1.5% full scale
- White scale with black graduations and numerals



MODEL 25KL ▶

STANDARD RANGES

RANGE	CODE	GRADUATIONS
30-0"WC VAC	VB	5" WC
0-10"WC	LA	5" WC
0-15"WC	LB	.2" WC
0-30"WC	LC	.5" WC
0/35"WC/20oz.	LK	.5" WC
0/60"WC/35oz.	LD	1" WC
0-100"WC	LE	2" WC
0-160"WC	LF	5" WC
0-200"WC	LG	5" WC
0-3 PSI	LH	.05 PSI
0-5 PSI	LI	.1 PSI
0-10 PSI	LJ	.2 PSI



HOW TO ORDER - PLEASE SPECIFY THE FOLLOWING:

MODEL #	RANGE
25KL4	2 digit code from table

Customer _____
 Project _____
 Engineer _____
 PRO or P.O. # _____

Weksler Glass Thermometer Corporation
 3295 Cobb International Blvd. • Kennesaw, GA 30152
 Telephone: 888-650-6923 • Fax: 770-429-0795 E-mail:
 Sales@WekslerGlass.com • Website: www.WekslerGlass.com