

2.5" GLYCERIN FILLED AMMONIA GAUGE 316SS BOURDON TUBE AND SOCKET MODEL 254L4-AMM

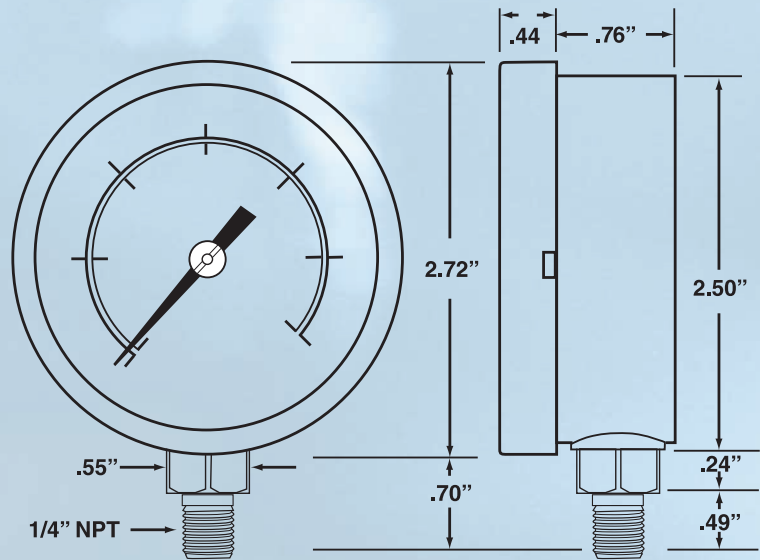
STANDARD FEATURES

- 2.5" dial size
- 316SS Bourdon tube and socket
- Glycerin filled
- Corrosion resistant stainless steel case and bezel
- 1/4" NPT, bottom connection
- Polycarbonate lens
- Accuracy: 2/1/2% per ASME B40.1 Grade A
- White scale with black graduations and numerals
Ammonia temperature in red



MODEL 254L4-AMM ▶

64



STANDARD RANGE

RANGE	CODE
30"/0/150 PSI & -60/0/84°F	P7AMM
30"/0/300 PSI & -60/0/120°F	P8AMM

HOW TO ORDER - PLEASE SPECIFY THE FOLLOWING:

MODEL #	RANGE
254L4	5 digit code from table

Customer _____
 Project _____
 Engineer _____
 PRO or P.O. # _____

Weksler Glass Thermometer Corporation
 3295 Cobb International Blvd. • Kennesaw, GA 30152
 Telephone: 888-650-6923 • Fax: 770-429-0795 E-mail:
 Sales@WekslerGlass.com • Website: www.WekslerGlass.com