

5" SCALE SUPER ECONOMY THERMOMETER MODEL 152FC

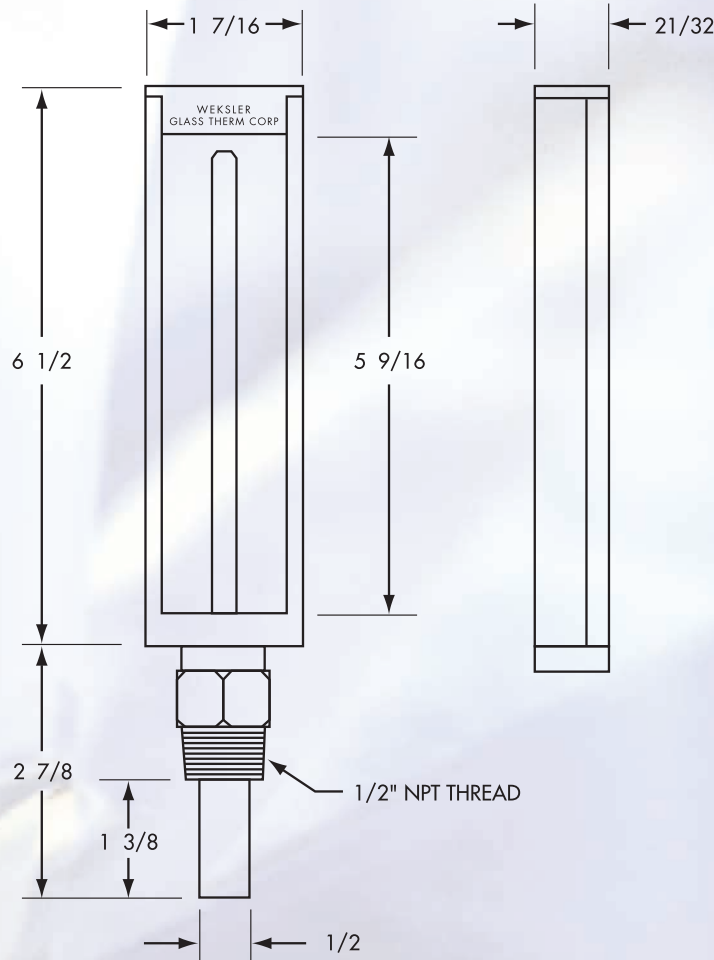
STANDARD FEATURES

- Range 40 to 260° F and C
- Gray ABS case
- No glass face (window)
- Lens front blue liquid filled tube
- V-shaped aluminum scale, black figures and graduations on white background
- Complete with 1/2" NPT brass well, 2" nominal length

CAT. NO.
152FC

CATALOG NUMBER

FORM	2" STEM
STRAIGHT	152FC



*Back angle form available.
See page 9.*

Customer _____
 Project _____
 Engineer _____
 PRO or P.O. # _____

Weksler Glass Thermometer Corporation
 3295 Cobb International Blvd. • Kennesaw, GA 30152
 Telephone: 888-650-6923 • Fax: 770-429-0795 E-mail:
 Sales@WekslerGlass.com • Website: www.WekslerGlass.com