

REMOTE MOUNTED VAPOR ACTUATED DIAL THERMOMETER - 4 1/2" DIAL MODEL VR45P

STANDARD FEATURES

- 4 1/2" dial size
- Glass reinforced Phenolic case
- Stainless steel snap ring
- Glass lens
- Aluminum dial, white finish, black markings
- Progressive graduations offer ideal reading in the upper two thirds of the range
- For standard ranges see page 23
- Adjustable pointer
- Precision geared brass movement
- + or 1 scale division accuracy
- 5ft. bronze braided capillary tubing standard. Additional tubing lengths and materials available
- Brass thermowell, 1/2" NPT standard. 2" "U" dimension below thread. Additional sizes, threads and materials available. See page 23.



MODEL VR45P

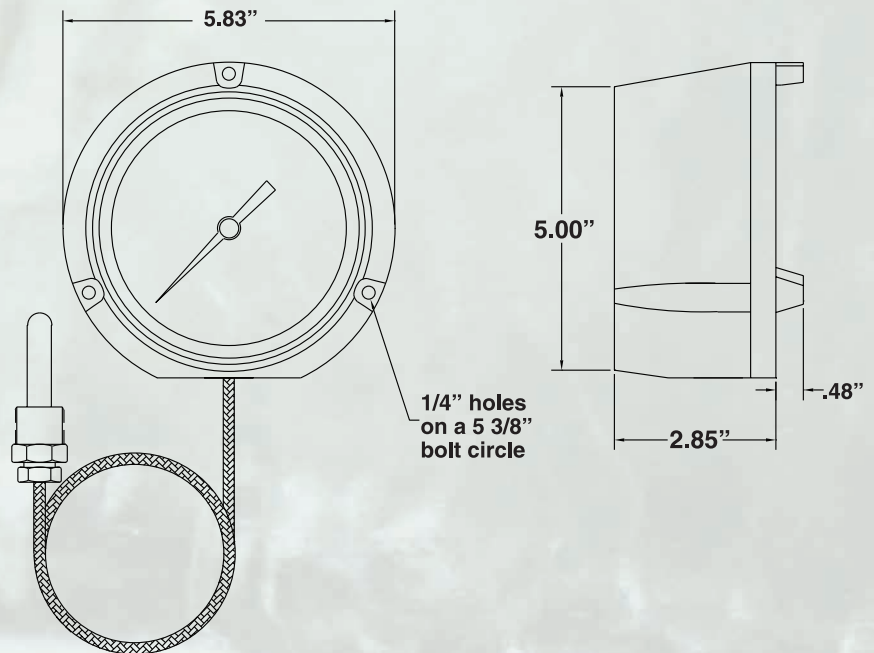
22

STANDARD RANGES

CODE	FAHRENHEIT
01	-40/65F
02	-20/120F
03	20/220F
04	30/300F

CODE	CELSIUS
05	-40/20C
06	0/100C

CODE	DUAL SCALE F & C
07	-40/65F & -40/20C
08	-20/120F & -30/50C
09	20/220F & 0/105C
10	30/300F & 0/150C



HOW TO ORDER - PLEASE SPECIFY THE FOLLOWING:				
MODEL #	RANGE CODE	TUBING LENGTH	IMMERSION LENGTH	THERMOWELL CATALOG NO.
VR45P	2 digit code from table	05 = 5 FT. 10 = 10 FT. ETC.	2 = 2.25" 4 = 4.25"	See Page 23

Customer _____
 Project _____
 Engineer _____
 PRO or P.O. # _____

556 Dettor Rd., Suite 10, Charlottesville, VA 22903
 Phone: 877.988.8003 | Fax: 866.982.9882
 www.wekslerglass.com | sales@wekslerglass.com
 International: Phone: 434.977.4544 | Fax: 434.977.4548