

4 1/2" PROCESS GAUGE STAINLESS STEEL BOURDON TUBE AND SOCKET MODEL 45PL & MODEL 45LL

STANDARD FEATURES

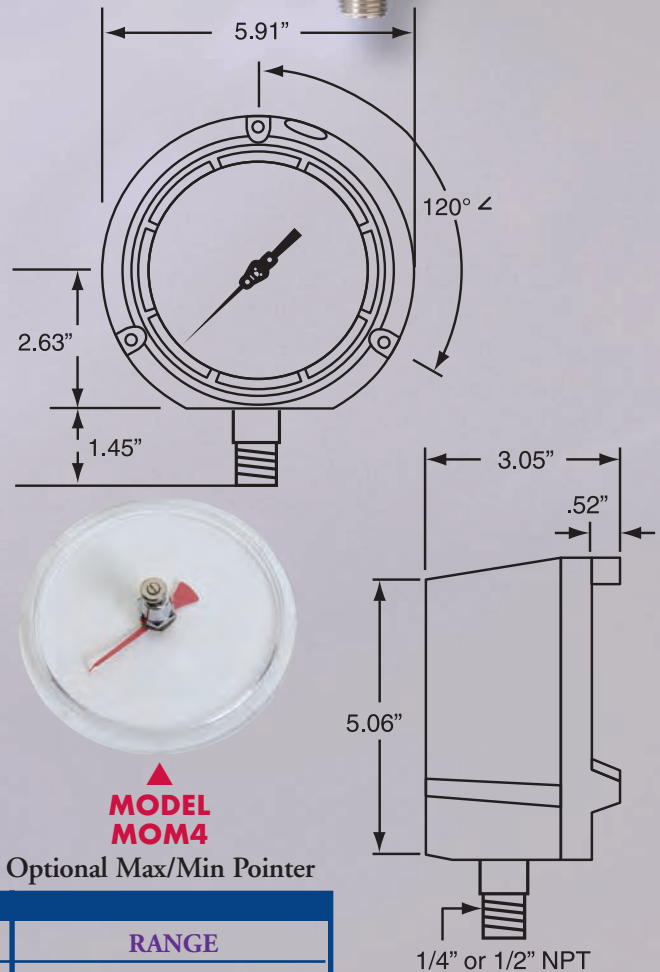
- 4 1/2" dial size
- 316 stainless steel bourbon tube and socket
- Heavy duty stainless steel movement with underload and overload stops
- Solid front hermetically sealed phenolic case
- Available dry or factory glycerin filled
- Field fillable
- 1/2% full scale accuracy per ASME B40.1 Grade 2A
- Balanced micrometer adjustable pointer
- 1/2" NPT or 1/4" NPT bottom connection
- Plastic lens

STANDARD RANGES

RANGE	CODE	FIGURES	GRADUATIONS
30" 0 VAC	P2	5" HG	0.2"
30" -0-15	P3	10" HG/5 PSI	1" HG/5 PSI
30" -0-30	P4	10" HG/5 PSI	1" HG/5 PSI
30" -0-60	P5	10" HG/10 PSI	1" HG/1 PSI
30" -0-100	P6	10" HG/20 PSI	1" HG/1 PSI
30" -0-150	P7	10" HG/30 PSI	1" HG/2 PSI
30" -0-200	P9	10" HG/50 PSI	1" HG/2 PSI
30" -0-300	P8	10" HG/50 PSI	1" HG/5 PSI
30" -0-600	C2	10" HG/100 PSI	1" HG/10 PSI
0-15 PSI	PA	3 PSI	0.2 PSI
0-30 PSI	PB	5 PSI	0.2 PSI
0-60 PSI	PC	5 PSI	0.5 PSI
0-100 PSI	PD	10 PSI	1 PSI
0-160 PSI	PE	20 PSI	1 PSI
0-200 PSI	PF	20 PSI	2 PSI
0-300 PSI	PG	50 PSI	2 PSI
0-400 PSI	PH	50 PSI	2 PSI
0-600 PSI	PI	50 PSI	5 PSI
0-800 PSI	PJ	100 PSI	5 PSI
0-1000 PSI	PK	100 PSI	10 PSI
0-1500 PSI	PL	250 PSI	10 PSI
0-2000 PSI	PM	200 PSI	20 PSI
0-3000 PSI	PN	500 PSI	20 PSI
0-5000 PSI	PO	1000 PSI	50 PSI
0-10,000 PSI	PP	1000 PSI	100 PSI
0-15,000 PSI	PR	2,500 PSI	100 PSI
0-20,000 PSI	PS	2,000 PSI	200 PSI



MODEL 45PL



MODEL MOM4
Optional Max/Min Pointer

53

HOW TO ORDER - PLEASE SPECIFY THE FOLLOWING:

MODEL #	CONNECTION SIZE	RANGE
45PL (dry case) 45LL (filled case)	2 = 1/2" NPT 4 = 1/4" NPT	2 digit code from tables

Customer _____
 Project _____
 Engineer _____
 PRO or P.O. # _____

556 Dettor Rd., Suite 10, Charlottesville, VA 22903
 Phone: 877.988.8003 | Fax: 866.982.9882
 www.wekslerglass.com | sales@wekslerglass.com
 International: Phone: 434.977.4544 | Fax: 434.977.4548