

4" LOW PRESSURE GAUGE COPPER ALLOY CAPSULE AND SOCKET MODEL 40HL4

STANDARD FEATURES

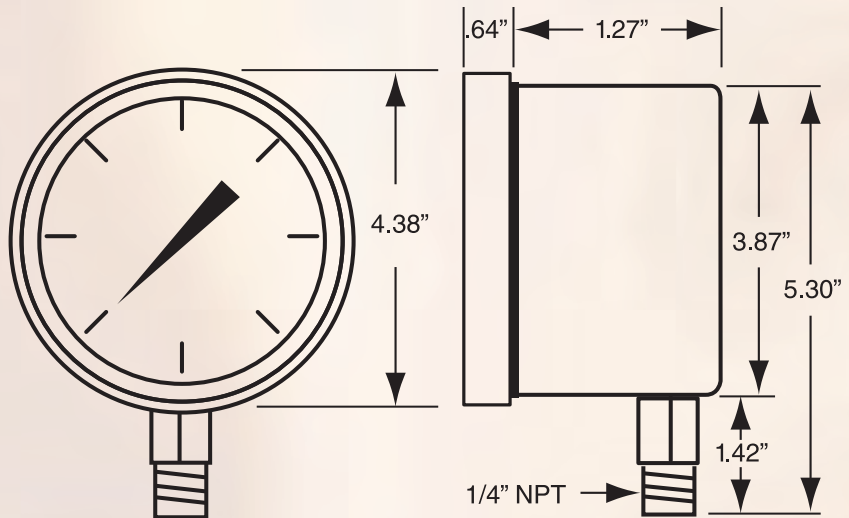
- 4" dial size
- Copper alloy capsule and socket
- Corrosion resistant stainless steel case and bezel
- 1/4" NPT, bottom connection
- Heavy-duty glass lens
- Accuracy: 2/1/2% per ASME B40.1 Grade A
- White scale with black graduations and numerals



MODEL 40HL4 ▶

STANDARD RANGES

RANGE	CODE
15/0" WC VAC	VE
30/0" WC VAC	VB
60/0" WC VAC	VD
100/0" WC VAC	VC
200/0" WC VAC	VF
15" WC VAC/0/15" WC	LO
30" WC VAC/0/30" WC	LL
100" WC VAC/0/15" WC	LM
0/10" WC	LA
0/15" WC	LB
0/17.5" WC & 0/10 OZ.	LP
0/30" WC	LC
0/35" WC & 0/20 OZ.	LK
0/60" WC	LD
0/100" WC	LE
0/160" WC	LF
0/200" WC	LG
0/3 PSI	LH
0/5 PSI	LI
0/10 PSI	LJ



HOW TO ORDER - PLEASE SPECIFY THE FOLLOWING:

MODEL #	RANGE
40HL4	2 digit code from table

Customer _____
 Project _____
 Engineer _____
 PRO or P.O. # _____

556 Dettor Rd., Suite 10, Charlottesville, VA 22903
 Phone: 877.988.8003 | Fax: 866.982.9882
 www.wekslerglass.com | sales@wekslerglass.com
 International: Phone: 434.977.4544 | Fax: 434.977.4548