

3" PROCESS GAUGE DIAL DIGITAL PRESSURE GAUGE MODEL 30DL4

STANDARD FEATURES

- Accuracy – +/- 0.25% Full Scale
- Output Type – 4 Digit LCD
- Keypad Functions – Multiple Pressure Units (PSI, BAR, MPA); Peak Hold; Zero Adjustment
- Supply Voltage – 9 Volt Battery
- Automatic Shutoff Time – 5 Minutes
- Media Isolation – 316L SS
- Connection – 304L SS, 1/4" NPT
- Chemical Compatibilities – Any Gas or Liquid Chemically Compatible with 304L SS and 316L SS
- Case – 3" with Black ABS Thermoplastic Case, NEMA 4x Rating
- Typical Applications – Refrigeration, Fuel Cells, Pumps, Hydraulics, Process Control, Pneumatics, Compressors, Waste Water, Agriculture
- Operating Temperature – -10°C to 60°C, 14°F to 140°F
- Storage Temperature – -20°C to 85°C, 4°F to 185°F
- Options – NIST Calibration Certificate, Protective Rubber Boot, Ft of Head Ranges Available

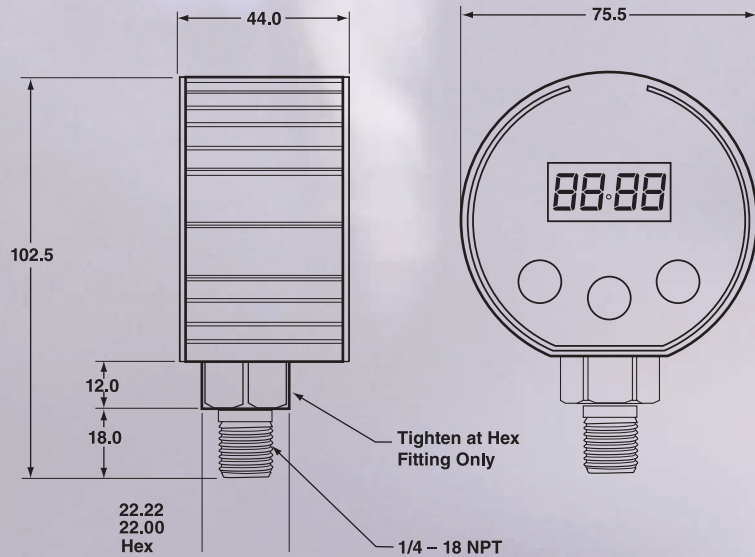


◀ **MODEL 30DL4**

57

STANDARD RANGES

RANGE	CODE
0-15 PSI	PA
0-50 PSI	PU
0-75 PSI	PV
0-100 PSI	PD
0-200 PSI	PF
0-300 PSI	PG
0-500 PSI	PW
0-750 PSI	PX
0-1,000 PSI	PK
0-1,500 PSI	PL
0-2,000 PSI	PM
0-3,000 PSI	PN
0-5,000 PSI	PO



HOW TO ORDER - PLEASE SPECIFY THE FOLLOWING:	
MODEL #	RANGE
30DL4	2 digit code from table

Customer _____
 Project _____
 Engineer _____
 PRO or P.O. # _____

556 Dettor Rd., Suite 10, Charlottesville, VA 22903
 Phone: 877.988.8003 | Fax: 866.982.9882
 www.wekslerglass.com | sales@wekslerglass.com
 International: Phone: 434.977.4544 | Fax: 434.977.4548