

# 2.5" GLYCERIN FILLED AMMONIA GAUGE 316SS BOURDON TUBE AND SOCKET MODEL 254L4-AMM

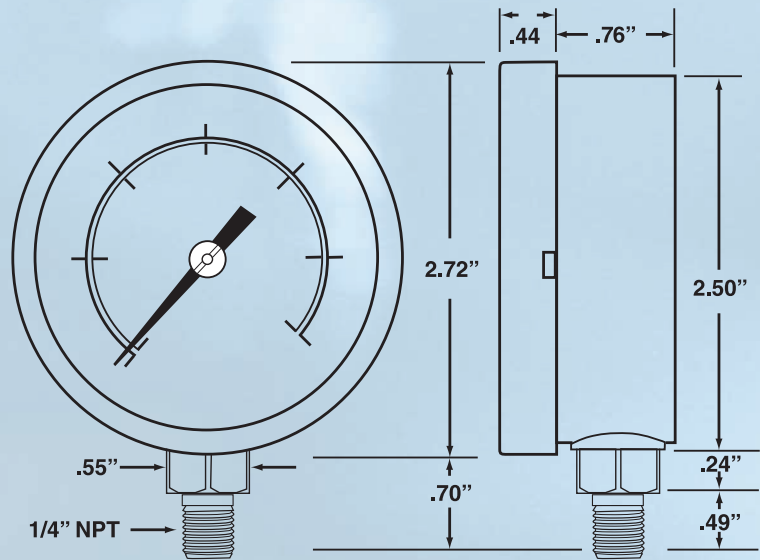
## STANDARD FEATURES

- 2.5" dial size
- 316SS Bourdon tube and socket
- Glycerin filled
- Corrosion resistant stainless steel case and bezel
- 1/4" NPT, bottom connection
- Polycarbonate lens
- Accuracy: 2/1/2% per ASME B40.1 Grade A
- White scale with black graduations and numerals  
Ammonia temperature in red



**MODEL 254L4-AMM** ▶

64



## STANDARD RANGE

RANGE	CODE
30"/0/150 PSI & -60/0/84°F	P7AMM
30"/0/300 PSI & -60/0/120°F	P8AMM

### HOW TO ORDER - PLEASE SPECIFY THE FOLLOWING:

MODEL #	RANGE
<b>254L4</b>	<b>5 digit code</b> from table

Customer \_\_\_\_\_  
 Project \_\_\_\_\_  
 Engineer \_\_\_\_\_  
 PRO or P.O. # \_\_\_\_\_

556 Dettor Rd., Suite 10, Charlottesville, VA 22903  
 Phone: 877.988.8003 | Fax: 866.982.9882  
 www.wekslerglass.com | sales@wekslerglass.com  
 International: Phone: 434.977.4544 | Fax: 434.977.4548