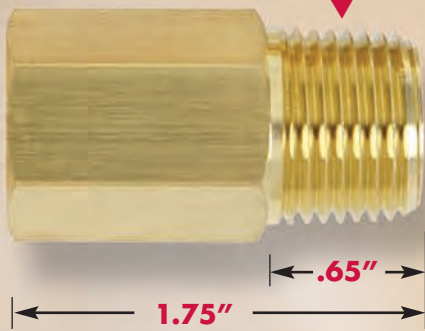


PRESSURE / TEMPERATURE PLUGS MODEL PT25NOR & PT50NOR MODEL PT25EXT1.75 & PT50EXT1.75

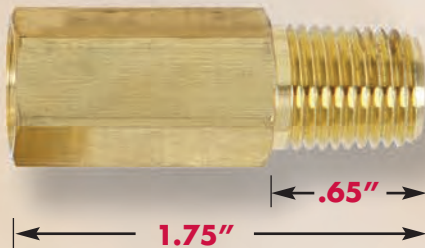
MODEL PT50EXT1.75
(1/2" NPT)



MODEL PT50NOR
(1/2" NPT)



MODEL PT25EXT1.75
(1/4" NPT)



MODEL PT25NOR
(1/4" NPT)

STANDARD FEATURES

- P/T plug extensions for use with P/T plugs on insulated pipe
- Brass, 1.75" overall length

STANDARD FEATURES

- Brass body
- Nordel® Core (dual core design)
- Plastic cap retainer
- Maximum pressure 1,000 PSI
- Operational temperature range 45°F to 275°F



PRESSURE/TEMPERATURE KITS

- (1) PT Case - Heavy duty plastic with foam insert
- (2) 2 1/2" Pressure gauges - Catalog No. 25TL
- (2) 1" Pocket thermometer - Catalog No. 1BK05
- (1) Gauge adapter - Catalog No. PT Gauge Adapter