

WGTC WEKSLER GLASS THERMOMETER CORP.

SINCE 1930



USE AND...



THE HISTORY OF WEKSLER GLASS THERMOMETER CORPORATION

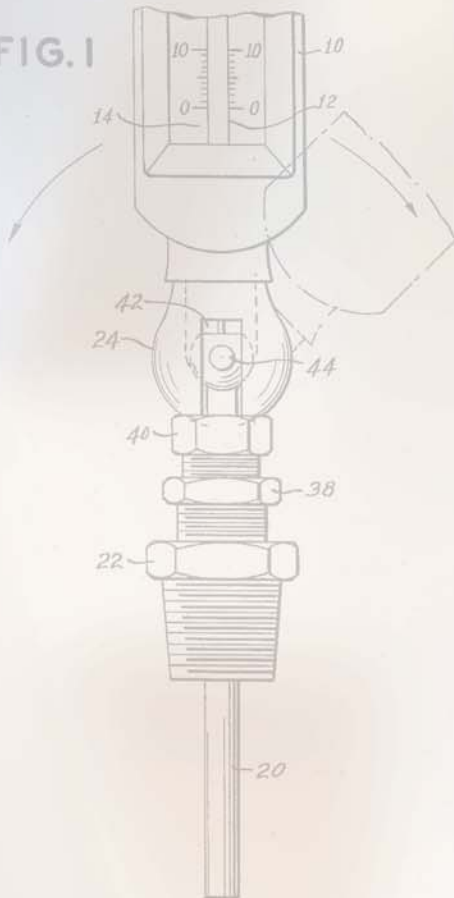


Oct. 10, 1950

E. P. DOUGLASS
ADJUSTABLE-ANGLE THERMOMETER
Filed Sept. 23, 1947

Weksler Glass Thermometer Corporation has a long and proud history. Our founder, Harry Weksler, was an accomplished glass blower who left England in 1920 and founded the Weksler Thermometer Company in St. Louis, Missouri.

FIG. 1



On September 23, 1947 Weksler Thermometer Corporation applied for a U.S. patent for their revolutionary adjustable-angle industrial thermometer. Three years later, patent number 2,524,894 was granted and the company solidified its position as a leader in the HVAC industry.

The company grew rapidly under Harry Weksler's leadership and moved to a larger facility in Freeport, New York in 1952. As the company expanded into new markets, the name was changed to Weksler Instruments Corporation in the 1950's. Three generations of family members lead Weksler Instruments through a period of unprecedented growth for another 45 years before selling the company's name and parts of the product line to Dresser Industries in 1995.

The company never sold its most important assets; the adjust-angle industrial thermometer and other products that have been a mainstay of the worldwide HVAC market for over 75 years. We continue to offer our EA14 contractor gauges that have been specified by engineers for over 40 years. Our line has grown and now includes bimetal thermometers, diaphragm seals and gauges from 1 1/2" to 6" diameters.

Weksler Glass Thermometer Corporation is now lead by Harry Weksler's great grandson and continues a tradition of innovative, high-quality products sold by representatives throughout the world.



Photo taken in Freeport, NY, USA – (circa) 1955

TABLE OF

INDUSTRIAL THERMOMETERS

Adjust-Angle Thermometer - Model AS5.....	1
Adjust-Angle Air Duct Thermometer - Model AS6.....	2
Case Dimensions For Adjust-Angle Thermometer.....	3
Solar Digital Industrial Thermometer - Model AAD.....	4
Thermowells for Adjust-Angle Thermometers.....	5

5" SCALE THERMOMETERS

5" Scale Submarine Thermometers	
Model 140.....	6
Model 141.....	7
5" Scale Super Economy Thermometer	
Model 152FC.....	8
Model 153FC.....	9

SCIENTIFIC & COMMERCIAL

Pocket & Laboratory Thermometers.....	10
Scientific & Commercial Thermometers.....	11

BIMETAL THERMOMETERS

3" Dial Adjust-Angle Bimetal - Model 3AA.....	12
5" Dial Adjust-Angle Bimetal - Model 5AA.....	13
5" Dial Adjust-Angle Bimetal "E" Series - Model 5AAE.....	14
3" Dial Bottom Connected Bimetal - Model 3BM.....	15
5" Dial Bottom Connected Bimetal - Model 5BM.....	16
3" Dial Back Connected Bimetal - Model 3BK.....	17
3" Dial Back Connected Bimetal "E" Series - Model 3BKE.....	18
5" Dial Back Connected Bimetal - Model 5BK.....	19
Thermowells for Bimetal Thermometers.....	20

VAPOR DIAL THERMOMETERS

Adjust-Angle Vapor Actuated Dial Thermometer - 4 1/2" Dial - Model VA45S.....	21
Remote Mounted Vapor Actuated Dial Thermometer - 4 1/2" Dial - Model VR45P.....	22
Dials and Thermowells for Vapor Actuated Thermometers.....	23

CONTRACTOR GAUGE

4 1/2" Contractor Gauge Brass Bourdon Tube and Socket - Model EA14.....	25
---	----

UTILITY GAUGES

1 1/2" Utility Gauge Brass Bourdon Tube and Socket - Model 15TL8.....	26
1 1/2" Utility Gauge Brass Bourdon Tube and Socket - Model 15TC8.....	27
2" Utility Gauge Brass Bourdon Tube and Socket - Model 20TL4.....	28
2" Utility Gauge Brass Bourdon Tube and Socket - Model 20TC4.....	29
2 1/2" Utility Gauge Brass Bourdon Tube and Socket - Model 25TL4.....	30



CONTENTS

UTILITY GAUGES (cont'd)

2 1/2" Utility Gauge Brass Bourdon Tube and Socket - Model 25TC4.....	31
2 1/2" Utility Gauge Brass Bourdon Tube and Socket - Model 25TU4	32
3 1/2" Utility Gauge Brass Bourdon Tube and Socket - Model 35TL4	33

GLYCERIN FILLED GAUGES

2 1/2" Glycerin Filled Gauge Brass Bourdon Tube and Socket - Model 251L4.....	34
2 1/2" Glycerin Filled Gauge Brass Bourdon Tube and Socket - Model 251C4	35
2 1/2" Glycerin Filled Gauge Brass Bourdon Tube and Socket - Model 251U4	36
2 1/2" Glycerin Filled Gauge Brass Bourdon Tube and Socket - Model 251F4.....	37
2 1/2" Glycerin Filled Gauge Stainless Steel Bourdon Tube and Socket - Model 254L4	38
2 1/2" Glycerin Filled Gauge Stainless Steel Bourdon Tube and Socket - Model 254C4.....	39
2 1/2" Glycerin Filled Gauge Stainless Steel Bourdon Tube and Socket - Model 254U4	40
2 1/2" Glycerin Filled Gauge Stainless Steel Bourdon Tube and Socket - Model 254F4	41
4" Glycerin Filled Gauge Brass Bourdon Tube and Socket - Model 401L	42
4" Glycerin Filled Gauge Brass Bourdon Tube and Socket - Model 401C.....	43
4" Glycerin Filled Gauge Stainless Steel Bourdon Tube and Socket - Model 404L4.....	44
4" Glycerin Filled Gauge Stainless Steel Bourdon Tube and Socket - Model 404C	45

LOW PRESSURE GAUGES

2 1/2" Low Pressure Gauge Brass Capsule and Socket - Model 25KL4	46
2 1/2" Low Pressure Gauge Brass Capsule and Socket - Model 25KC4.....	47

PROCESS GAUGES

4 1/2" Process Gauge Brass Bourdon Tube and Socket - Model HA14-4.....	48
4 1/2" Altitude Gauge Brass Bourdon Tube and Socket - Model HA14-4ALT	49
4 1/2" Process Gauge Brass Bourdon Tube and Socket - Model HA14-P & HY14-P	50
4 1/2" Process Gauge Stainless Steel Bourdon Tube and Socket - Model 45PL & Model 45LL.....	51
4 1/2" Process Gauge Stainless Steel Bourdon Tube and Socket - Model 45PB & Model 45LB.....	52
4 1/2" Process Gauge Stainless Steel Bourdon Tube and Socket - Model HA44-8 & Model HY44-8	53
6" Process Gauge Stainless Steel Bourdon Tube and Socket - Model HA46-Y & Model HY46-Y.....	54

GENERAL SERVICE GAUGES

4 1/2" General Service Gauge Brass Bourdon Tube and Socket - Model 45RL4	55
6" General Service Gauge Brass Bourdon Tube and Socket - Model 60RL4.....	56

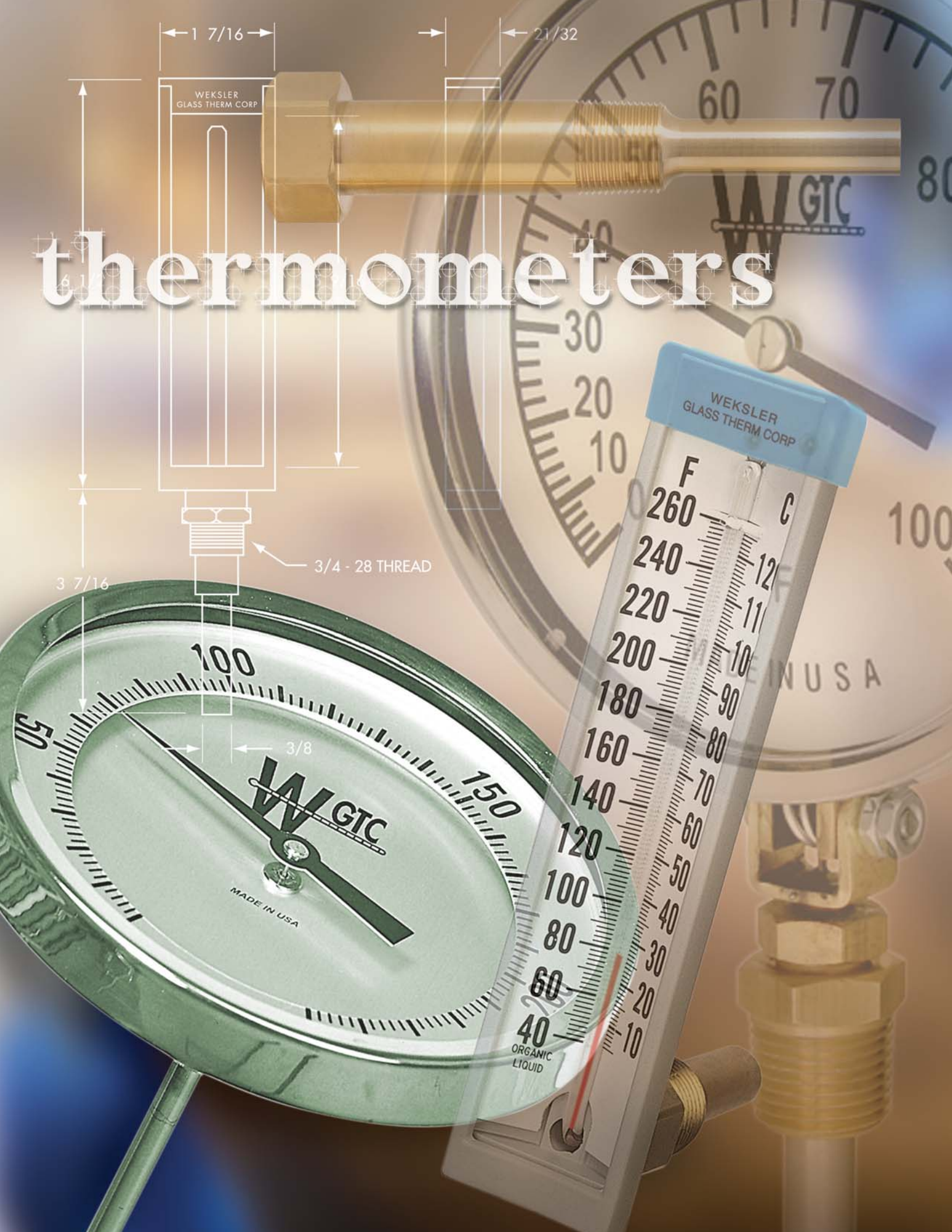
DIAPHRAGM SEALS

Diaphragm Seals - Model DW-T & DW-TF.....	57
Diaphragm Seals - Model DM-35 & DM-45.....	58

ACCESSORIES

Pressure / Temperature Plugs - Models PT25NOR & PT50NOR.....	59
Gauge Accessories.....	60

thermometers



WEKSLER
GLASS THERM CORP

1 7/16

21/32

3/4 - 28 THREAD

3 7/16

3/8

WEKSLER
GLASS THERM CORP

F
260
240
220
200
180
160
140
120
100
80
60
40

C
120
110
100
90
80
70
60
50
40
30
20
10

ORGANIC
LIQUID

MADE IN USA

W GTC

MADE IN USA

ADJUST-ANGLE THERMOMETER MODEL AS5

**BLUE
SPIRIT FILL**



**CAT. NO.
AS5H-9**



SIMPLE ADJUSTMENT

Just two screws permit case to be rotated 180° and stem to be positioned in 10° increments allowing user to select the most desirable viewing position.

EASY READABILITY

Lens front blue liquid filled thermometer tube is mounted on V-shaped aluminum scale with bold black lines and numerals.

ACCURATE

Calibrated against standards traceable to the National Institute of Standards and Technology and guaranteed accurate to ± one scale division.

CONSTRUCTION

Black molded ABS case with glass front to exclude dirt and dust is standard. Aluminum case is optional at additional charge. Plastic face is optional at additional charge. *ABS case should not be subjected to temperatures greater than 200°F*

CONNECTION ASSEMBLY

Swivel nut has 1 1/4" - 18" NEF thread. Bulb chambers are tapered to insure proper fit in well.

See page 5 for thermowells.

See page 3 for case dimensions.

CATALOG NUMBERS

SCALE SIZE	STEM LENGTHS	
	3 1/2"	6"
7"	AS5H-7	AS5L-7

SCALE SIZE	STEM LENGTHS			
	3 1/2"	6"	9"	12"
9"	AS5H-9	AS5L-9	AS5N-9	AS5Q-9

STANDARD TEMPERATURE RANGES

CODE	FAHRENHEIT	SCALE SIZE	
		7"	9"
09	-40 to 110°F	2°	2°
16	0 to 120°F	1°	1°
18	0 to 160°F	2°	2°
36	20 to 180°F	2°	2°
42	30 to 240°F	2°	2°
46	30 to 300°F	5°	2°
49	50 to 400°F	5°	5°
50	50 to 550°F	-	5°

CODE	CELSIUS	SCALE
CO	-40 to 40°C	1°
CC	-15 to 50°C	1/2°
CD	-15 to 70°C	1°
	-	-
CH	0 to 115°C	1°
CJ	0 to 150°C	1°
CL	10 to 285°C	2°

CODE	DUAL SCALE (both °F and °C)	SCALE 9" Only
DA	-40 to 110°F & -40 to 43°C	2°/1°
DC	0 to 120°F & -17 to 49°C	1°/1/2°
DD	0 to 160°F & -17 to 71°C	2°/1°
DF	20 to 180°F & -6 to 82°C	2°/1°
DH	30 to 240°F & 0 to 114°C	2°/1°
DJ	30 to 300°F & -1 to 149°C	2°/1°
DK	50 to 400°F & 10 to 240°C	5°/2°
DL	50 to 550°F & 10 to 288°C	5°/2°

HOW TO ORDER - PLEASE SPECIFY THE FOLLOWING:

MODEL #	STEM LENGTH	SCALE SIZE	RANGE	OPTIONS
AS5	H = 3 1/2" stem N = 9" stem L = 6" stem Q = 12" stem	7 = 7" scale 9 = 9" scale	2 digit code from tables	AL = Aluminum Case P = Plastic Lens

ADJUST-ANGLE AIR DUCT THERMOMETER MODEL AS6

SIMPLE ADJUSTMENT

Just two screws permit case to be rotated 180° and stem to be positioned 10° increments allowing user to select the most desirable viewing position.

EASY READABILITY

Lens front blue liquid filled thermometer tube is mounted on V-shaped aluminum scale with bold black lines and numerals.

ACCURATE

Calibrated against standards traceable to the National Institute of Standards and Technology and guaranteed accurate to ± one scale division.

CONSTRUCTION

Standard with protective slotted bulb guard. Black molded ABS case with glass front to exclude dirt and dust is standard for ranges up to 240°F* (114°C). Aluminum case is optional at additional charge. Plastic face is optional at additional charge. *ABS case should not be subjected to temperatures greater than 200°F*

CONNECTION ASSEMBLY

Swivel nut has 1 1/4" - 18" NEF thread. Comes complete with mounting flange (P/N: All-3I)

See page 3 for case dimensions.



CAT. NO. AS6N-9 ▶

CATALOG NUMBERS

FORM	SCALE SIZE	STEM LENGTHS		
		6"	9"	12"
ADJUST ANGLE	7"	AS6L-7	-	-
	9"	AS6L-9	AS6N-9	AS6Q-9

STANDARD TEMPERATURE RANGES

CODE	FAHRENHEIT	SCALE SIZE		CODE	CELSIUS	SCALE 9" Only	CODE	DUAL SCALE (both °F and °C)	SCALE 9" Only
		7"	9"						
09	-40 to 110°F	2°	2°	CO	-40 to 40°C	1°	DA	-40 to 110°F & -40 to 43°C	2°/1°
16	0 to 120°F	1°	1°	CC	-15 to 50°C	1/2°	DC	0 to 120°F & -17 to 49°C	1°/1/2°
18	0 to 160°F	2°	2°	CD	-15 to 70°C	1°	DD	0 to 160°F & -17 to 71°C	2°/1°
36	20 to 180°F	2°	2°		-	-	DF	20 to 180°F & -6 to 82°C	2°/1°
42	30 to 240°F	2°	2°	CH	0 to 115°C	1°	DH	30 to 240°F & 0 to 114°C	2°/1°

HOW TO ORDER - PLEASE SPECIFY THE FOLLOWING:

MODEL #	STEM LENGTH	SCALE SIZE	RANGE	OPTIONS
AS6	L = 6" stem Q = 12" stem N = 9" stem	7 = 7" scale 9 = 9" scale	2 digit code from tables	AL = Aluminum Case P = Plastic Lens

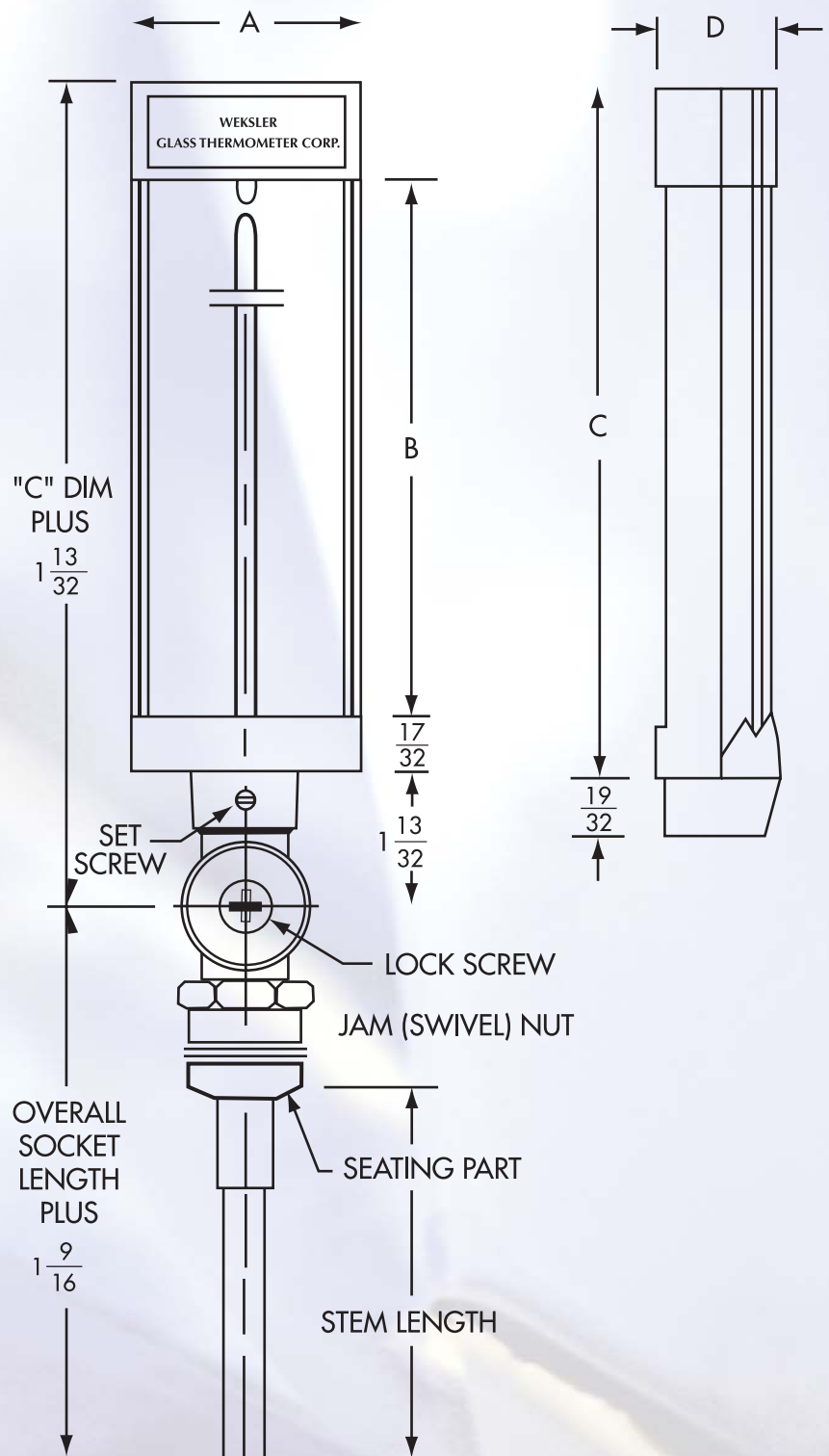
CASE DIMENSIONS FOR ADJUST-ANGLE THERMOMETER

CASE DIMENSIONS		
	SCALE SIZE	
	7"	9"
A	2 ³ / ₈ "	2 ³ / ₈ "
B	6 ³ / ₄ "	8 ³ / ₄ "
C	8 ⁵ / ₁₆ "	10 ⁵ / ₁₆ "
D	1 ¹ / ₃₂ "	1 ¹ / ₃₂ "

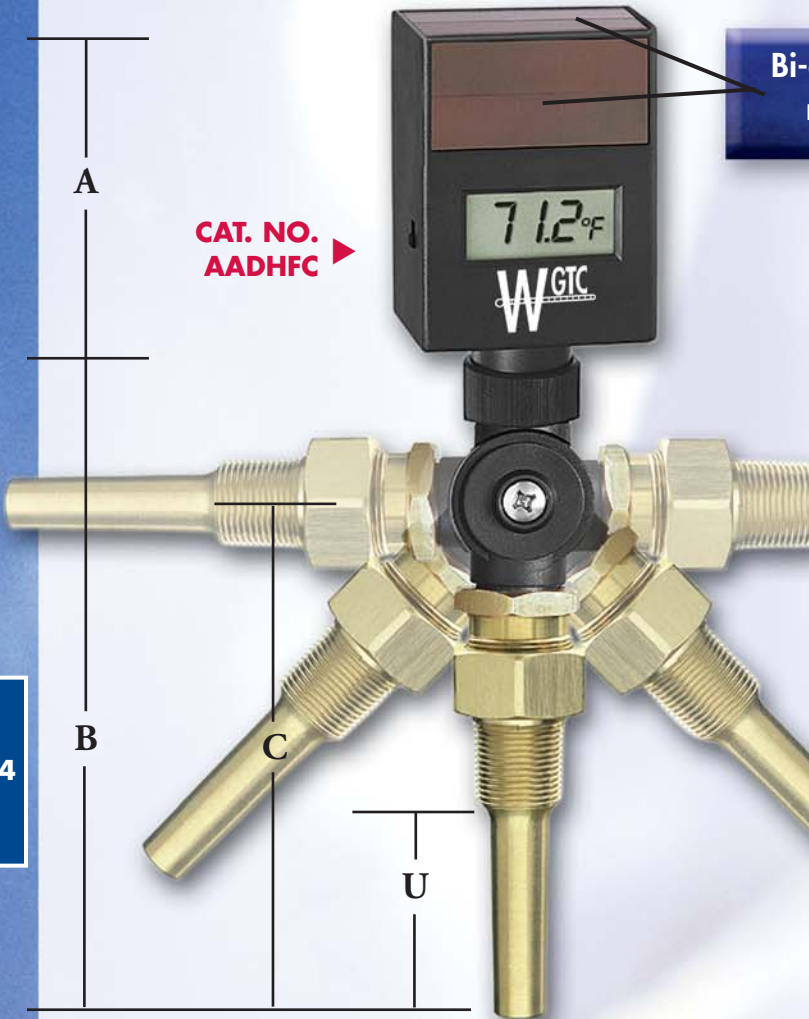
THERMOMETER STEM LENGTHS
3 ¹ / ₂ "
6"
9"
12"

NOTE:

Adjust - Angle Form thermometers (7" and 9" scale sizes) take "C" dimension in above table plus 2 1/8" to get the dimension from top of case to the swivel nut.



SOLAR DIGITAL INDUSTRIAL THERMOMETER MODEL AAD



Bi-directional solar panels collect light from multiple surfaces for assured response

SPECIFICATIONS

- CASE:** High impact ABS black plastic
- STEM:** Aluminum, 3 1/2" or 6"
- CONNECTION:** 1 1/4" - 18 UNEF Brass jam nut
- SENSOR:** Glass passivated thermistor
- RANGE:** -58° to 302°F (-50 to 150°C),
field-switchable between °F & °C
- DISPLAY:** LCD, black character, 1/2" high with gray background
- ILLUMINANCE:** Bi-directional solar collectors, 35 Lux
- UPDATE TIME:** 6 times per minute
- ACCURACY:** Greater value of 1° or 1% of reading
- RESOLUTION:** 0.10° between -58° to 199.9°F (-50° to 93°C)

RECALIBRATION: Internal potentiometer

ENVIRONMENTAL CONDITIONS:

- Ambient Temperature:** -30° to 140°F (-35° to 60°C)
- Ambient Temperature Error:** None
- Maximum Humidity:** 100%

See page 5 for thermowell dimensions.

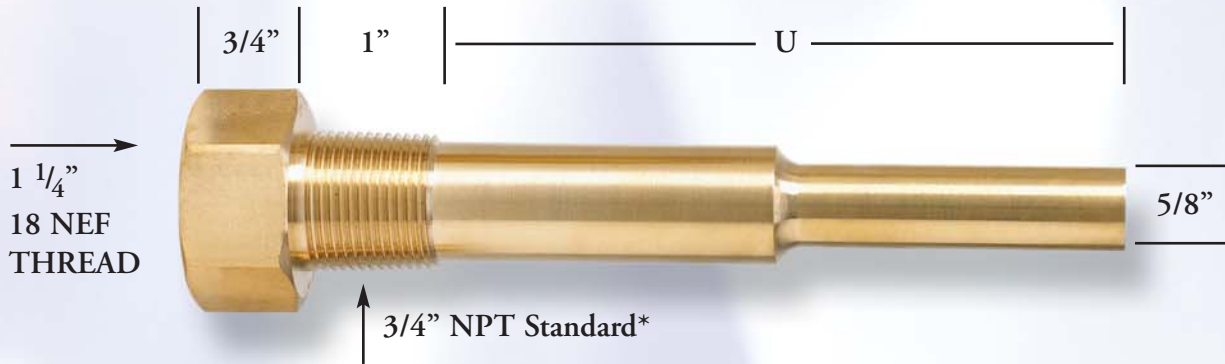
The solar-powered AAD Series Thermometer fits any standard industrial thermometer well. The bold, hi-contrast display is easily read from greater distances than the typical glass tube thermometer. The unique design includes bi-directional solar panels, allowing the unit to collect light from multiple planes.

The AAD Series Industrial Thermometer is furnished in one standard temperature range (-58 to 302°F & -50 to 150°C) which is switchable in the field greatly reducing inventory requirements.

Catalog Number	Nominal Stem Length	Dimensions (in.)			
		A	B	C	U
AADHFC	3 1/2"	3.20	7.56	5.75	2.50
AADLFC	6"	3.20	10.06	8.25	5.00

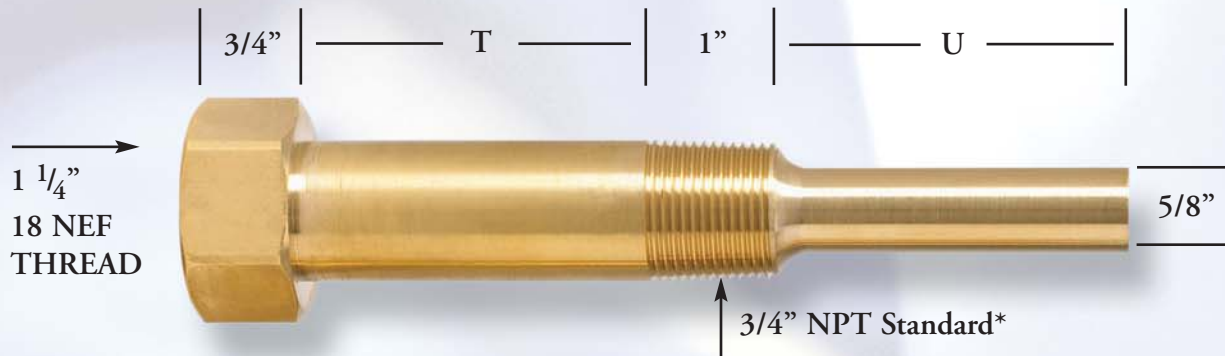
THERMOWELLS FOR ADJUST-ANGLE THERMOMETERS

STANDARD TYPE



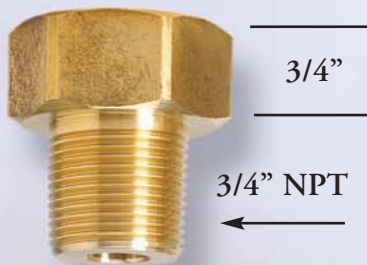
STEM LENGTH	"U" DIM.	CATALOG NUMBER			
		BRASS	STEEL	304 ST ST	316 ST ST
3 1/2"	2 1/2"	T1E3D2	T3E3D2	T6E3D2	T4E3D2
6"	5"	T1M3D2	T3M3D2	T6M3D2	T4M3D2
9"	8"	T1S3D2	T3S3D2	T6S3D2	T4S3D2
12"	11"	T1T3D2	T3T3D2	T6T3D2	T4T3D2

LAGGING EXTENSION TYPE



STEM LENGTH	"T" DIM.	"U" DIM.	CATALOG NUMBER			
			BRASS	STEEL	304 ST ST	316 ST ST
3 1/2"	1	1 1/2"	T1E3D2B	T3E3D2B	T6E3D2B	T4E3D2B
6"	2 1/2"	2 1/2"	T1M3D2E	T3M3D2E	T6M3D2E	T4M3D2E
9"	3"	5"	T1S3D2E	T3S3D2E	T6S3D2E	T4S3D2E
12"	3"	8"	T1T3D2E	T3T3D2E	T6T3D2E	T4T3D2E

1 1/4" 18 NEF THREAD



CATALOG NUMBER	
BRASS	304 ST ST
T143D2	T643D2

*1/2" NPT and 1" NPT available - consult factory

5" SCALE SUBMARINE THERMOMETERS MODEL 140

STANDARD FEATURES

- 5" scale size
- V-shaped aluminum scale with black figures
- Lens front, red liquid filled tube for 2" stem
- Lens front, blue liquid filled tube for 4" stem
- Gray ABS case
- Glass face (window) to exclude dirt and dust
- Available with:
 - 2" nominal stem length for 3 1/4" OA thermowell
 - 4" nominal stem length for 5 1/4" OA thermowell

CATALOG NUMBERS

SCALE SIZE	STEM LENGTHS	
5"	2"	4"
STRAIGHT	140GS	140KS

STANDARD TEMPERATURE RANGES

CODE	DUAL SCALE (both °F and °C)
DA	-40 / 110°F (2° Div.) and -40 / 40C (2° Div.)
DF	20 / 180°F (2° Div.) and -6 / 82C (1° Div.)
DH	30 / 240°F (2° Div.) and 0 / 114C (2° Div.)
DK	50 / 400°F (5° Div.) and 10 / 200C (2° Div.)

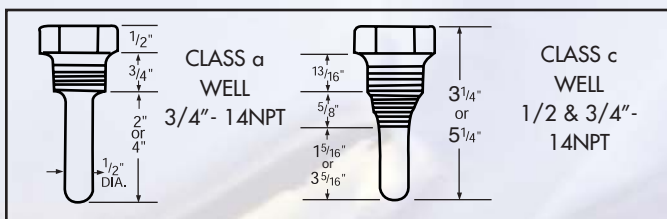
THERMOWELLS

WELL CLASS	STEM LENGTH	WELL LENGTH	CATALOG NUMBER	
			BRASS	304 ST ST
a	2"	3 1/4"	*	W3G1
	4"	5 1/4"		W5G1
c	2"	3 1/4"	W3B3	W3G3
	4"	5 1/4"	W5B3	W5G3

*Brass wells only available in Class C

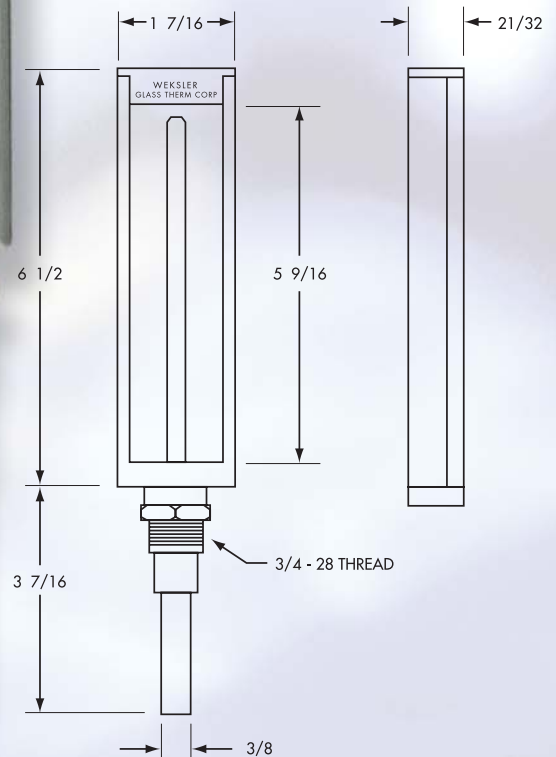
THERMOWELL DIMENSIONS

3/4"-28" Female Thread (Internal)



◀ **CAT. NO. 140GS**

Back angle form available. See page 7.



HOW TO ORDER - PLEASE SPECIFY THE FOLLOWING:

MODEL #	STEM LENGTH	RANGE
140	GS = 2" stem KS = 4" stem	2 digit code from table

5" SCALE SUBMARINE THERMOMETERS MODEL 141

STANDARD FEATURES

- 5" scale size
- V-shaped aluminum scale with black figures
- Lens front, red liquid filled tube for 2" stem
- Lens front, blue liquid filled tube for 4" stem
- Gray ABS case
- Glass face (window) to exclude dirt and dust
- Available with:
 - 2" nominal stem length for 3 1/4" OA thermowell
 - 4" nominal stem length for 5 1/4" OA thermowell

CATALOG NUMBERS

SCALE SIZE	STEM LENGTHS	
5"	2"	4"
90° BACK ANGLE	141GS	141KS

STANDARD TEMPERATURE RANGES

CODE	DUAL SCALE (both °F and °C)
DA	-40 / 110°F (2° Div.) and -40 / 40C (2° Div.)
DF	20 / 180°F (2° Div.) and -6 / 82C (1° Div.)
DH	30 / 240°F (2° Div.) and 0 / 114C (2° Div.)
DK	50 / 400°F (5° Div.) and 10 / 200C (2° Div.)

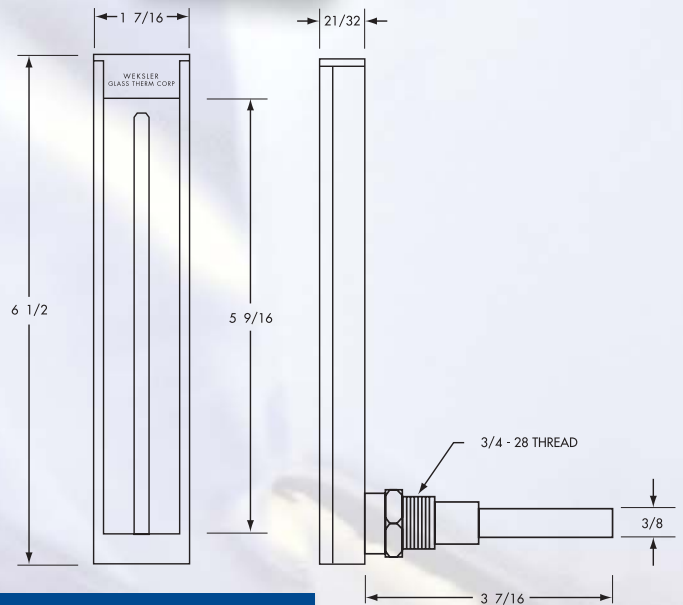
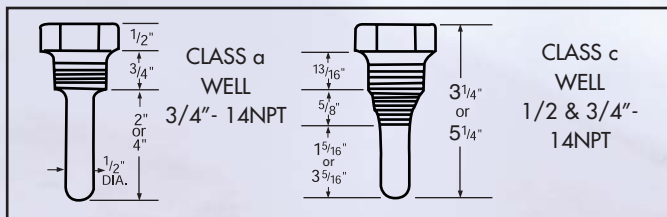
THERMOWELLS

WELL CLASS	STEM LENGTH	WELL LENGTH	CATALOG NUMBER	
			BRASS	304 ST ST
a	2"	3 1/4"	*	W3G1
	4"	5 1/4"		W5G1
c	2"	3 1/4"	W3B3	W3G3
	4"	5 1/4"	W5B3	W5G3

*Brass wells only available in Class C

THERMOWELL DIMENSIONS

3/4-28" Female Thread (Internal)



◀ **CAT. NO. 141GS**

*Straight form available.
See page 6.*

HOW TO ORDER - PLEASE SPECIFY THE FOLLOWING:		
MODEL #	STEM LENGTH	RANGE
141	GS = 2" stem KS = 4" stem	2 digit code from table

5" SCALE SUPER ECONOMY THERMOMETER MODEL 152FC

STANDARD FEATURES

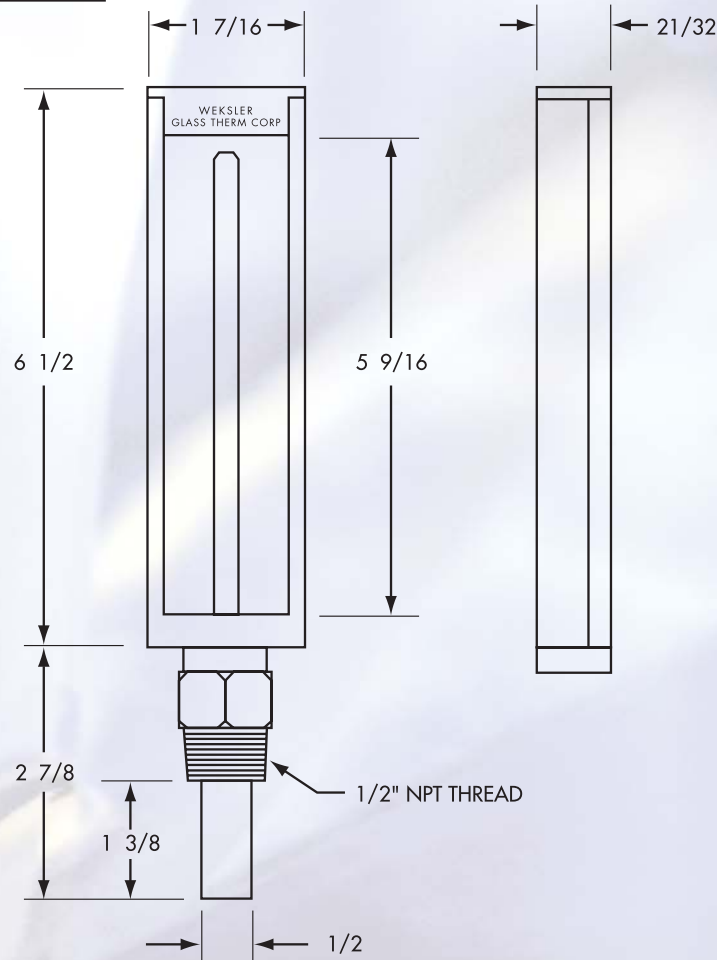
- Range 40 to 260° F and C
- Gray ABS case
- No glass face (window)
- Lens front red liquid filled tube
- V-shaped aluminum scale, black figures and graduations on white background
- Complete with 1/2" NPT brass well, 2" nominal length

CAT. NO.
152FC



CATALOG NUMBER

FORM	2" STEM
STRAIGHT	152FC



*Back angle form available.
See page 9.*

5" SCALE SUPER ECONOMY THERMOMETER MODEL 153FC

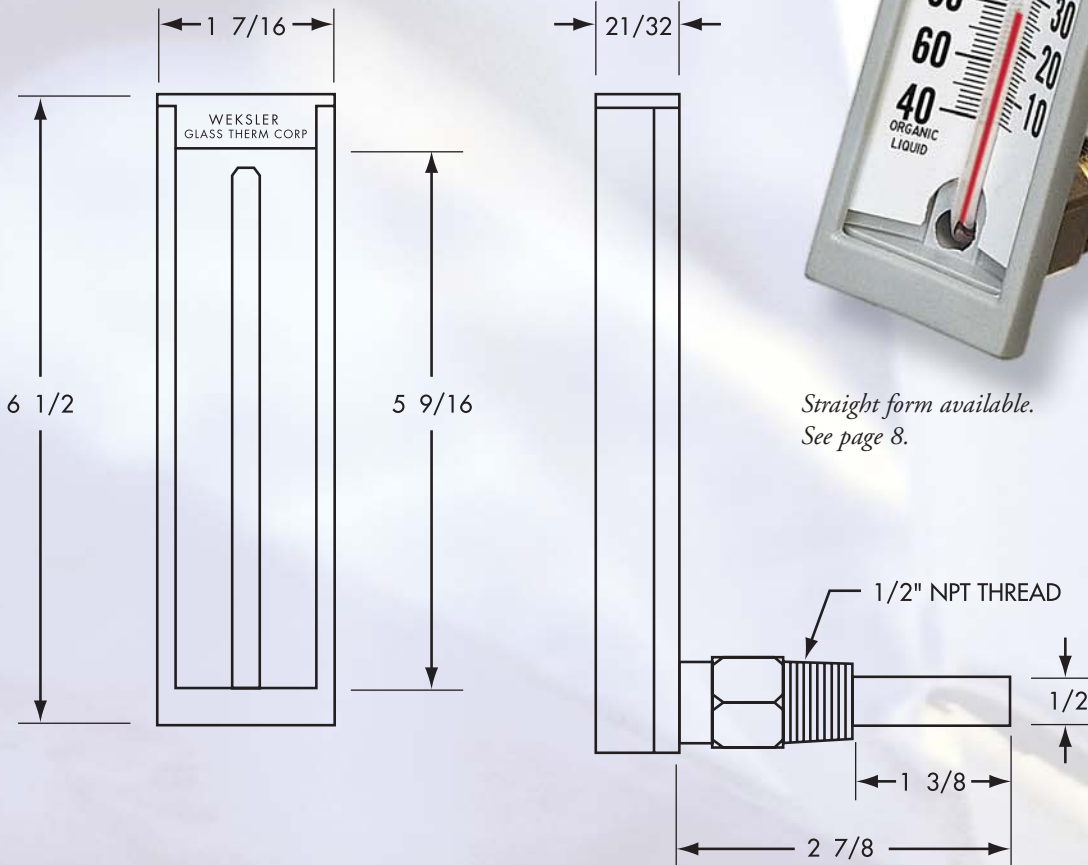
STANDARD FEATURES

- Range 40 to 260° F and C
- Gray ABS case
- No glass face (window)
- Lens front red liquid filled tube
- V-shaped aluminum scale, black figures and graduations on white background
- Complete with 1/2" NPT brass well, 2" nominal length

CATALOG NUMBER

FORM	2" STEM
90° BACK ANGLE	153FC

CAT. NO. **153FC**



*Straight form available.
See page 8.*

STANDARD POCKET TYPES

FILL	RANGE	DIVS.	CATALOG NUMBERS		
			COMPLETE UNIT		
			POCKET CASE	ARMOR CASE	DUPLEX CASE
RED LIQUID	-30 to 120°F	2°	5150	5151	5152
	0 to 120°F	2°	5156	5157	5158
	0 to 220°F	2°	5159	5160	5161
	-30 to 50°C	1°	5253	5254	5255
	-10 to 110°C	1°	5262	5263	5264
	0 to 220°F and -15 to 105°C	2° 1°	5359	-	-

POCKET THERMOMETERS

5 1/2" in length, calibrated for total immersion, round white back glass with red liquid. Available with standard pocket case, open faced armor case (protects against breakage) or combination duplex case. All cases are nickel plated brass and have pocket clip.

LABORATORY GRADE THERMOMETERS

For laboratory, industrial, or general testing. Ring top standard. Also available in nickel-plated armor.

RED ORGANIC LIQUID FILLED

TOTAL IMMERSION TYPES									
RANGE	DIVS.	LENGTH	CATALOG NUMBERS		RANGE	DIVS.	LENGTH	CATALOG NUMBERS	
			RING TOP	COMPLETE IN ARMOR CASE				RING TOP	COMPLETE IN ARMOR CASE
-100 to 100°F	1°	12"	2138S	-	-100 to 50°C	1°	12"	2239S	-
-30 to 120°F	1°	12"	3100S	3100SA	-20 to 110°C	1°	12"	3202S	3202SA
0 to 220°F	2°	12"	3102S	3102SA	-20 to 150°C	1°	12"	3204S	3204SA
0 to 300°F	2°	12"	3104S	3104SA					



▲
CAT. NO.
3102SA / 3100S

For mercury free ASTM thermometers, please contact factory.

**NO. 317S
POCKET SLING PSYCHROMETER**

Two 5 1/2" red liquid filled lens front thermometers attached to metal back with handle for whirling. Handle folds out of way when not in use. Supplied with humidity table, wick, and pocket case. **Range:** 20 to 110°F in 1° divs.

**NO. 317CS
CELSIUS POCKET SLING
PSYCHROMETER**

Same as 317S except range - 5/45°C in 1° divs.

REPLACEMENT THERMOMETERS

**NO. 317RS
NO. 317RCS**

Tube only for 317S psychrometer.
Tube only for 317CS psychrometer.

**NO. 315 -1S
SLING PSYCHROMETER WEATHER
BUREAU TYPE**

Two 9 1/2" red liquid filled thermometers mounted on stainless steel back, with swivel type handle. Furnished with wick and humidity tables. **Range:** -20/120°F

**NO. 315 -1CS
CELSIUS POCKET SLING
PSYCHROMETER WEATHER
BUREAU TYPE**

Same as 315-1S except range - 30/50°C.

REPLACEMENT THERMOMETERS

**NO. 315R-1S
NO. 315R-1CS**

Tube only for 315-1S psychrometer.
Tube only for 315-1CS psychrometer.

WICKSNO. 317W

Package of 36 extra wicks only for Cat. No. 315 psychrometers or Cat. No. 317 psychrometers.

**POCKET PSYCHROMETER
SLIDE RULENO. 318**

Quickly converts wet and dry bulb temperatures into percent of relative humidity. Durable plastic, approximately 6 3/4" x 7/8".

HUMIDITY TABLENO. 318C

Plastic coated 10" x 12" psychrometric chart.

SCOOPMASTER TANK THERMOMETERS

To API and ASTM requirements. 12" length lens front blue liquid tube in 14" black plastic chemical resistant case with 120ml cup.

CATALOG NO. COMPLETE IN CASE	ASTM TUBE NO.	RANGE (APPROX.)	DIV.	CATALOG NO. REFILL TUBE ONLY
272-1P	58F	MINUS 30 TO 120°F	1°	272R1P
272-2P	97F	0 TO 120°F	1°	272R2P
272-3P	59F	0 TO 180°F	1°	272R3P
272-5P	-	0 TO 230°F	1°	272R5P
272C1P	-	MINUS 7 TO 105°C	1°	272RC1P
272C2P	58C	MINUS 34 TO 49°C	1/2°	272RC2P
272C3P	59C	MINUS 18 TO 82°C	1/2°	272RC3P

Case only for Scoopmaster Tank Thermometer Specify Cat. No. 272 Case

**DUAL SCALE INDOOR WALL
THERMOMETERNO. 206FC**

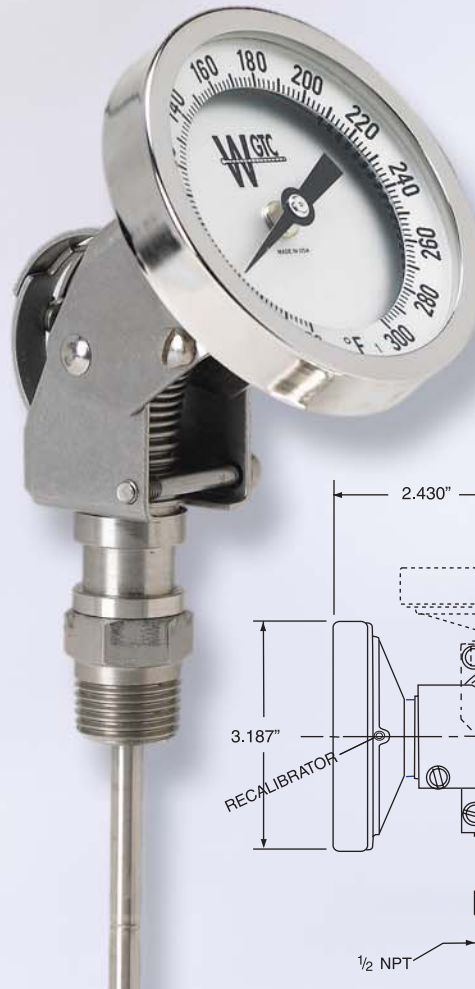
Range 20/120°F and - 12/50°C (approximate). Permits easy reading at normal room temperatures. Red spirit filled tube with matched anodized aluminum scale. Mounted on 8 1/2" wood back.

3" DIAL ADJUST-ANGLE BIMETAL MODEL 3AA

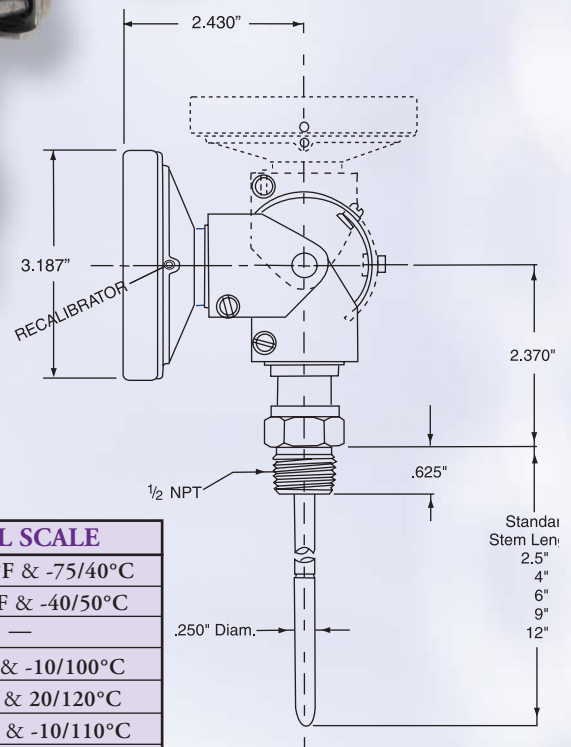
STANDARD FEATURES

- 3" dial size
- All welded 304 stainless steel construction
- Silicone dampened bimetal element
- Easy external recalibration adjustment with 1/16" Allen Head wrench
- Anti-parallax dial
- Hermetically sealed per ASME B40.3
- Accurate to 1% per ASME B40.3 (for accurate reading thermometer must be immersed past groove on lower portion of stem)
- Over-range protection is 50% up to 500°F (10% above 500°F)
- Fully gasketed glass lens. Plastic or shatterproof lens is available.

See page 20 for thermowells.



◀ **MODEL 3AA**
3" Dial
5" dial available.
See page 13.



TEMPERATURE RANGES

CODE	FAHRENHEIT	CODE	CELSIUS	CODE	DUAL SCALE
01	-100/100°F	CZ	-50/100°C	DB	-100/100°F & -75/40°C
02	-40/120°F	CB	-50/50°C	DE	-40/120°F & -40/50°C
03	0/150°F	CE	-50/25°C	-	-
04	0/200°F	CF	-40/70°C	DF	0/200°F & -10/100°C
05	0/250°F	CG	-10/110°C	DG	0/250°F & 20/120°C
06	20/240°F	CK	0/50°C	DK	20/240°F & -10/110°C
07	25/125°F	CN	0/100°C	DN	25/125°F & 0/50°C
08	50/250°F	CP	0/150°C	-	-
09	50/300°F	CQ	0/200°C	DQ	50/300°F & 10/150°C
10	50/400°F	CR	0/250°C	DR	50/400°F & 0/200°C
11	50/500°F	CS	0/300°C	DS	50/500°F & 0/250°C
12	150/750°F	CT	100/400°C	DT	150/750°F & 50/400°C
13	*200/1000°F	CU	*100/550°C	DU	*200/1000°F & 100/550°C

*Not recommended for continuous use above 800°F or 425°C

- Silicone filled models available for extreme vibration or low temperature application

HOW TO ORDER - PLEASE SPECIFY THE FOLLOWING:

MODEL #	STEM LENGTH	RANGE	OPTIONS
3AA	02 = 2 1/2" stem 04 = 4" stem 06 = 6" stem 09 = 9" stem 12 = 12" stem	2 digit code from tables	AA = Plastic Lens UU = Union Connection FF = Silicone Filled Case SS = Shatterproof Lens BB = 3/8" Diameter Stem

5" DIAL ADJUST-ANGLE BIMETAL MODEL 5AA

STANDARD FEATURES

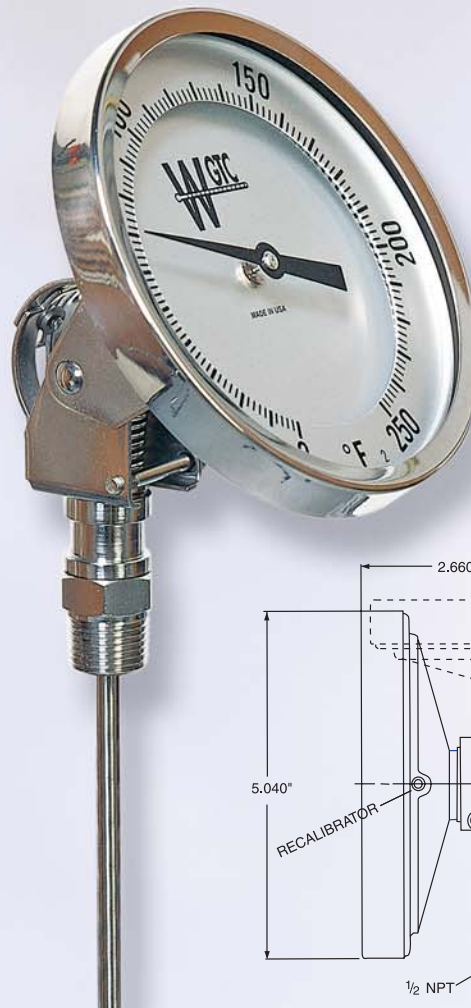
- 5" dial size
- All welded 304 stainless steel construction
- Silicone dampened bimetal element
- Easy external recalibration adjustment with 1/16" Allen Head wrench
- Anti-parallax dial
- Hermetically sealed per ASME B40.3
- Accurate to 1% per ASME B40.3 (for accurate reading thermometer must be immersed past groove on lower portion of stem)
- Over-range protection is 50% up to 500°F (10% above 500°F)
- Fully gasketed glass lens. Plastic or shatterproof lens is available.

See page 20 for thermowells.

TEMPERATURE RANGES

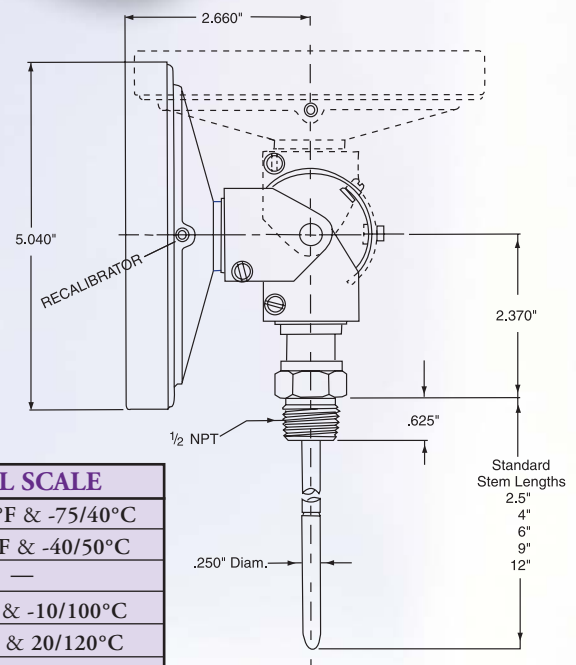
CODE	FAHRENHEIT	CODE	CELSIUS	CODE	DUAL SCALE
01	-100/100°F	CZ	-50/100°C	DB	-100/100°F & -75/40°C
02	-40/120°F	CB	-50/50°C	DE	-40/120°F & -40/50°C
03	0/150°F	CE	-50/25°C	-	-
04	0/200°F	CF	-40/70°C	DF	0/200°F & -10/100°C
05	0/250°F	CG	-10/110°C	DG	0/250°F & 20/120°C
06	20/240°F	CK	0/50°C	DK	20/240°F & -10/110°C
07	25/125°F	CN	0/100°C	DN	25/125°F & 0/50°C
08	50/250°F	CP	0/150°C	-	-
09	50/300°F	CQ	0/200°C	DQ	50/300°F & 10/150°C
10	50/400°F	CR	0/250°C	DR	50/400°F & 0/200°C
11	50/500°F	CS	0/300°C	DS	50/500°F & 0/250°C
12	150/750°F	CT	100/400°C	DT	150/750°F & 50/400°C
13	*200/1000°F	CU	*100/550°C	DU	*200/1000°F & 100/550°C

*Not recommended for continuous use above 800°F or 425°C



◀ MODEL 5AA 5" Dial

3" dial available.
See page 12.



- Silicone filled models available for extreme vibration or low temperature application

HOW TO ORDER - PLEASE SPECIFY THE FOLLOWING:

MODEL #	STEM LENGTH	RANGE	OPTIONS
5AA	02 = 2 1/2" stem 04 = 4" stem 06 = 6" stem 09 = 9" stem 12 = 12" stem	2 digit code from tables	AA = Plastic Lens SS = Shatterproof Lens UU = Union Connection BB = 3/8" Diameter Stem FF = Silicone Filled Case

5" DIAL ADJUST-ANGLE BIMETAL "E" SERIES - MODEL 5AAE

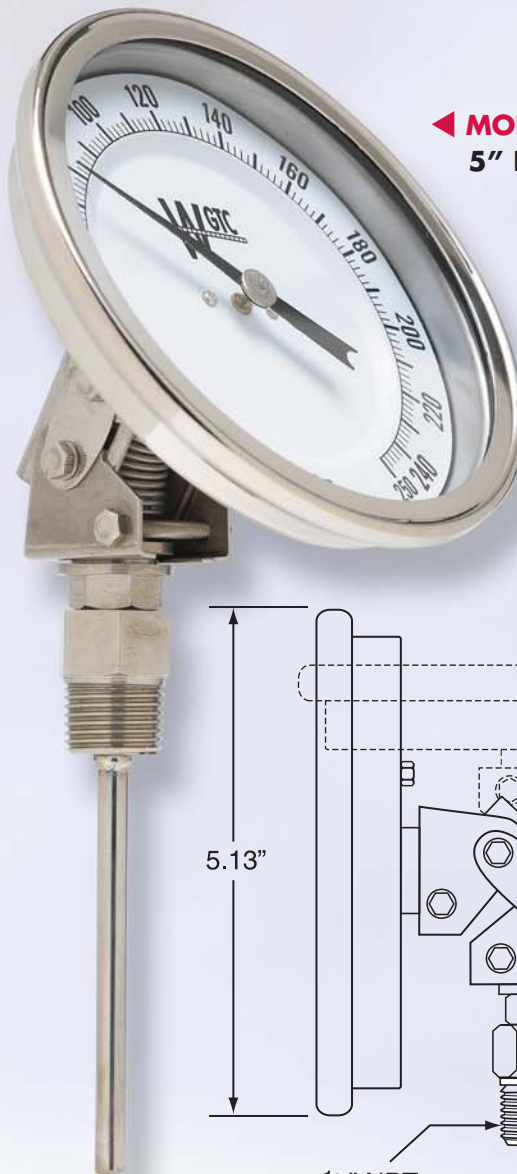
STANDARD FEATURES

- 5" dial size
- 2 1/2", 4" and 6" stems only
- All welded 304 stainless steel construction
- Silicone dampened bimetal element
- Sealed against dust, dirt and moisture
- Easy external recalibration adjustment
- Anti-parallax dial
- Accurate to 1% per ASME B40.3
- Over-range protection is 50% up to 500°F
- Fully gasketed glass lens

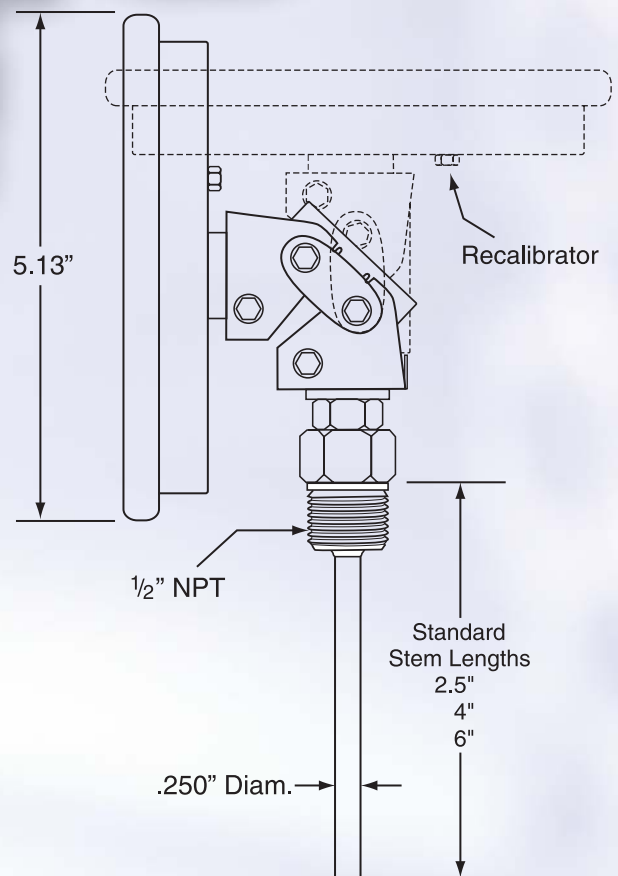
See page 20 for thermowells.

TEMPERATURE RANGES

CODE	FAHRENHEIT
02	-40/120°F
03	0/150°F
04	0/200°F
05	0/250°F
06	20/240°F
07	25/125°F
09	50/300°F
10	50/400°F
11	50/500°F



◀ **MODEL 5AAE**
5" Dial



HOW TO ORDER - PLEASE SPECIFY THE FOLLOWING:

MODEL #	STEM LENGTH	"E" SERIES	RANGE
5AA	02 = 2 1/2" stem 06 = 6" stem 04 = 4" stem	E	2 digit code from table

3" DIAL BOTTOM CONNECTED BIMETAL MODEL 3BM

STANDARD FEATURES

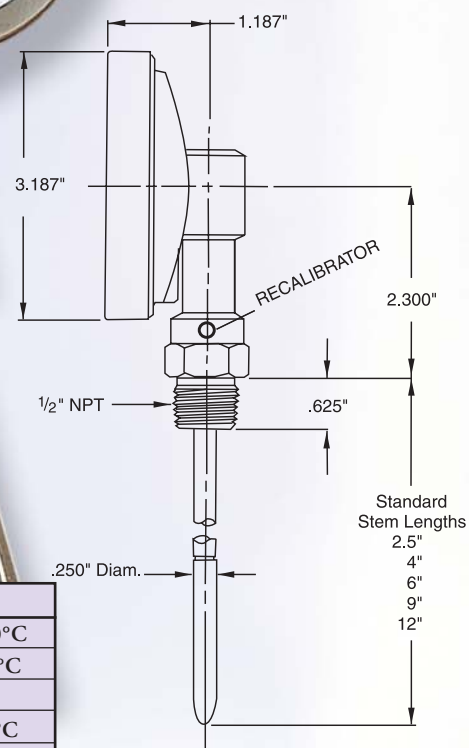
- 3" dial size
- All welded 304 stainless steel construction
- Silicone dampened bimetal element
- Easy external recalibration adjustment with 3/32" Allen Head wrench
- Anti-parallax dial
- Hermetically sealed per ASME B40.3
- Accurate to 1% per ASME B40.3 (for accurate reading thermometer must be immersed past groove on lower portion of stem)
- Over-range protection is 50% up to 500°F (10% above 500°F)
- Fully gasketed glass lens. Plastic or shatterproof lens is available.

See page 20 for thermowells.



MODEL 3BM 3" Dial

5" dial available.
See page 16.



TEMPERATURE RANGES

CODE	FAHRENHEIT	CODE	CELSIUS	CODE	DUAL SCALE
01	-100/100°F	CZ	-50/100°C	DB	-100/100°F & -75/40°C
02	-40/120°F	CB	-50/50°C	DE	-40/120°F & -40/50°C
03	0/150°F	CE	-50/25°C	-	—
04	0/200°F	CF	-40/70°C	DF	0/200°F & -10/100°C
05	0/250°F	CG	-10/110°C	DG	0/250°F & 20/120°C
06	20/240°F	CK	0/50°C	DK	20/240°F & -10/110°C
07	25/125°F	CN	0/100°C	DN	25/125°F & 0/50°C
08	50/250°F	CP	0/150°C	-	—
09	50/300°F	CQ	0/200°C	DQ	50/300°F & 10/150°C
10	50/400°F	CR	0/250°C	DR	50/400°F & 0/200°C
11	50/500°F	CS	0/300°C	DS	50/500°F & 0/250°C
12	150/750°F	CT	100/400°C	DT	150/750°F & 50/400°C
13	*200/1000°F	CU	*100/550°C	DU	*200/1000°F & 100/550°C

*Not recommended for continuous use above 800°F or 425°C

HOW TO ORDER - PLEASE SPECIFY THE FOLLOWING:

MODEL #	STEM LENGTH	RANGE	OPTIONS
3BM	02 = 2 1/2" stem 04 = 4" stem 06 = 6" stem 09 = 9" stem 12 = 12" stem	2 digit code from tables	AA = Plastic Lens UU = Union Connection FF = Silicone Filled Case SS = Shatterproof Lens BB = 3/8" Diameter Stem

5" DIAL BOTTOM CONNECTED BIMETAL MODEL 5BM

STANDARD FEATURES

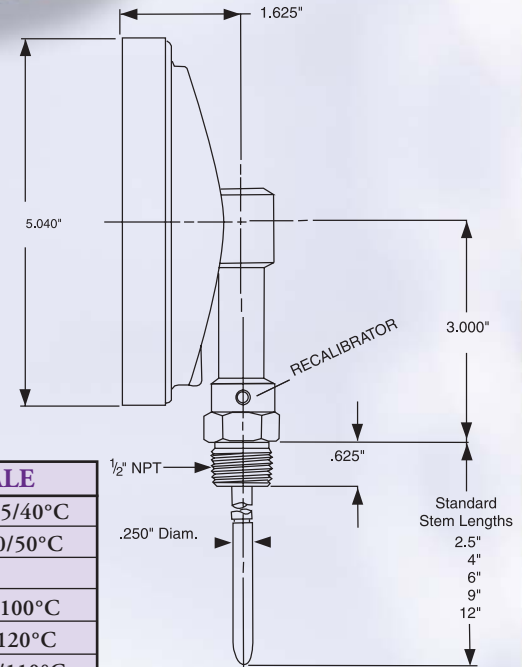
- 5" dial size
- All welded 304 stainless steel construction
- Silicone dampened bimetal element
- Easy external recalibration adjustment with 3/32" Allen Head wrench
- Anti-parallax dial
- Hermetically sealed per ASME B40.3
- Accurate to 1% per ASME B40.3 (for accurate reading thermometer must be immersed past groove on lower portion of stem)
- Over-range protection is 50% up to 500°F (10% above 500°F)
- Fully gasketed glass lens. Plastic or shatterproof lens is available.

See page 20 for thermowells.



◀ **MODEL 5BM**
5" Dial

3" dial available.
See page 15.



TEMPERATURE RANGES

CODE	FAHRENHEIT
01	-100/100°F
02	-40/120°F
03	0/150°F
04	0/200°F
05	0/250°F
06	20/240°F
07	25/125°F
08	50/250°F
09	50/300°F
10	50/400°F
11	50/500°F
12	150/750°F
13	*200/1000°F

CODE	CELSIUS
CZ	-50/100°C
CB	-50/50°C
CE	-50/25°C
CF	-40/70°C
CG	-10/110°C
CK	0/50°C
CN	0/100°C
CP	0/150°C
CQ	0/200°C
CR	0/250°C
CS	0/300°C
CT	100/400°C
CU	*100/550°C

CODE	DUAL SCALE
DB	-100/100°F & -75/40°C
DE	-40/120°F & -40/50°C
-	-
DF	0/200°F & -10/100°C
DG	0/250°F & 20/120°C
DK	20/240°F & -10/110°C
DN	25/125°F & 0/50°C
-	-
DQ	50/300°F & 10/150°C
DR	50/400°F & 0/200°C
DS	50/500°F & 0/250°C
DT	150/750°F & 50/400°C
DU	*200/1000°F & 100/550°C

*Not recommended for continuous use above 800°F or 425°C

- Silicone filled models available for extreme vibration or low temperature application

HOW TO ORDER - PLEASE SPECIFY THE FOLLOWING:			
MODEL #	STEM LENGTH	RANGE	OPTIONS
5BM	02 = 2 1/2" stem 04 = 4" stem 06 = 6" stem 09 = 9" stem 12 = 12" stem	2 digit code from tables	AA = Plastic Lens SS = Shatterproof Lens UU = Union Connection BB = 3/8" Diameter Stem FF = Silicone Filled Case

3" DIAL BACK CONNECTED BIMETAL MODEL 3BK

STANDARD FEATURES

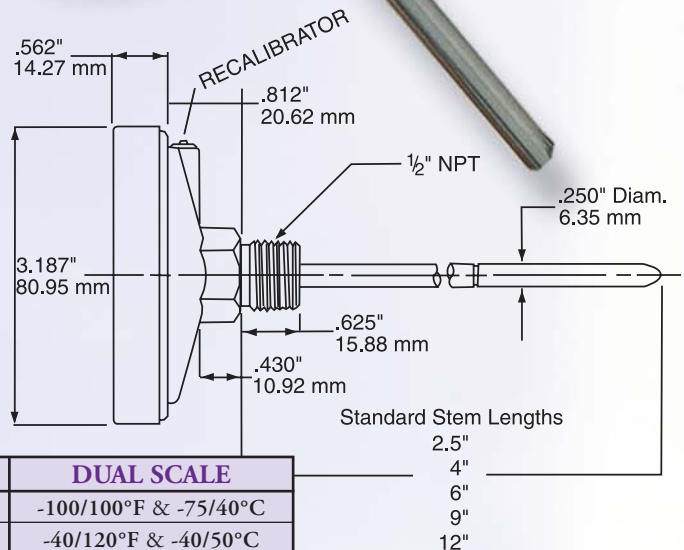
- 3" dial size
- All welded 304 stainless steel construction
- Silicone dampened bimetal element
- Easy external recalibration adjustment with 1/16" Allen Head wrench
- Anti-parallax dial
- Hermetically sealed per ASME B40.3
- Accurate to 1% per ASME B40.3 (for accurate reading thermometer must be immersed past groove on lower portion of stem)
- Over-range protection is 50% up to 500°F (10% above 500°F)
- Fully gasketed glass lens. Plastic or shatterproof lens is available.

See page 20 for thermowells.



◀ **MODEL 3BK**
3" Dial

5" dial available.
See page 19.



TEMPERATURE RANGES

CODE	FAHRENHEIT
01	-100/100°F
02	-40/120°F
03	0/150°F
04	0/200°F
05	0/250°F
06	20/240°F
07	25/125°F
08	50/250°F
09	50/300°F
10	50/400°F
11	50/500°F
12	150/750°F
13	*200/1000°F

CODE	CELSIUS
CZ	-50/100°C
CB	-50/50°C
CE	-50/25°C
CF	-40/70°C
CG	-10/110°C
CK	0/50°C
CN	0/100°C
CP	0/150°C
CQ	0/200°C
CR	0/250°C
CS	0/300°C
CT	100/400°C
CU	*100/550°C

CODE	DUAL SCALE
DB	-100/100°F & -75/40°C
DE	-40/120°F & -40/50°C
-	-
DF	0/200°F & -10/100°C
DG	0/250°F & 20/120°C
DK	20/240°F & -10/110°C
DN	25/125°F & 0/50°C
-	-
DQ	50/300°F & 10/150°C
DR	50/400°F & 0/200°C
DS	50/500°F & 0/250°C
DT	150/750°F & 50/400°C
DU	*200/1000°F & 100/550°C

- Silicone filled models available for extreme vibration or low temperature application
- 3/8" Diameter stem available

*Not recommended for continuous use above 800°F or 425°C

HOW TO ORDER - PLEASE SPECIFY THE FOLLOWING:			
MODEL #	STEM LENGTH	RANGE	OPTIONS
3BK	02 = 2 1/2" stem 09 = 9" stem 04 = 4" stem 12 = 12" stem 06 = 6" stem	2 digit code from tables	AA = Plastic Lens BB = 3/8" Diameter Stem UU = Union Connection MA = Max. and min. hands FF = Silicone Filled Case MO = Max. or min. hand SS = Shatterproof Lens

3" DIAL BACK CONNECTED BIMETAL "E" SERIES - MODEL 3BKE

STANDARD FEATURES

- 3" dial size
- 2 1/2", 4" and 6" stems only
- All welded 304 stainless steel construction
- Silicone dampened bimetal element
- Accurate to 1% per ASME B40.3
- External recalibration adjustment
- Anti-parallax dial
- Sealed to exclude dust, dirt, and moisture
- Over-range protection is 50% up to 500°F (10% above 500F)
- Fully gasketed glass lens

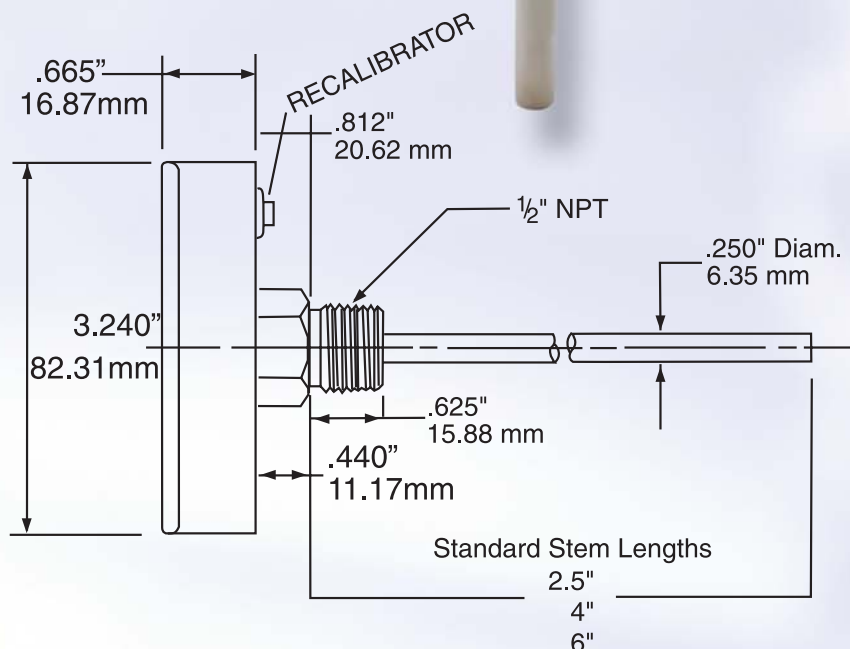
See page 20 for thermowells.



MODEL 3BKE ▶
3" Dial

TEMPERATURE RANGES

CODE	FAHRENHEIT
02	-40/120°F
03	0/150°F
04	0/200°F
05	0/250°F
06	20/240°F
07	25/125°F
09	50/300°F
10	50/400°F
11	50/500°F



HOW TO ORDER - PLEASE SPECIFY THE FOLLOWING:

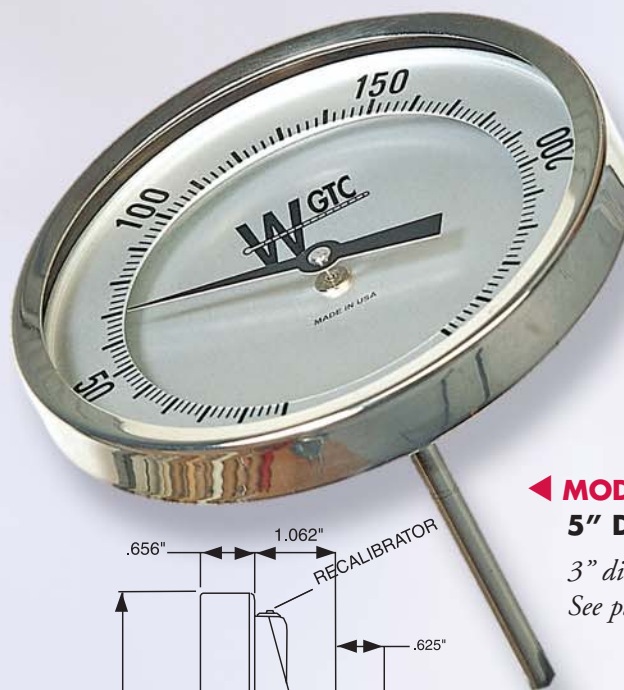
MODEL #	STEM LENGTH	"E" SERIES	RANGE
3BK	02 = 2 1/2" stem 04 = 4" stem 06 = 6" stem	E	2 digit code from table

5" DIAL BACK CONNECTED BIMETAL MODEL 5BK

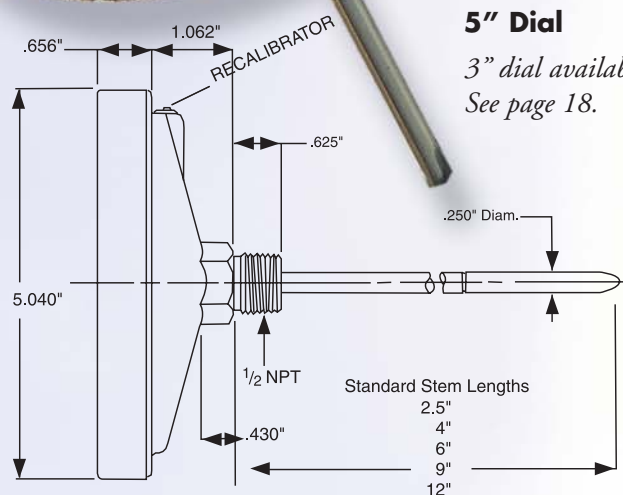
STANDARD FEATURES

- 5" dial size
- All welded stainless steel construction
- Silicone dampened bimetal element
- Easy external recalibration adjustment with 1/16" Allen Head wrench
- Anti-parallax dial
- Hermetically sealed per ASME B40.3
- Accurate to 1% per ASME B40.3 (for accurate reading thermometer must be immersed past groove on lower portion of stem)
- Over-range protection is 50% up to 500°F (10% above 500°F)
- Fully gasketed glass lens. Plastic or shatterproof lens is available.

See page 20 for thermowells.



◀ **MODEL 5BK**
5" Dial
3" dial available.
See page 18.



TEMPERATURE RANGES

CODE	FAHRENHEIT
01	-100/100°F
02	-40/120°F
03	0/150°F
04	0/200°F
05	0/250°F
06	20/240°F
07	25/125°F
08	50/250°F
09	50/300°F
10	50/400°F
11	50/500°F
12	150/750°F
13	*200/1000°F

CODE	CELSIUS
CZ	-50/100°C
CB	-50/50°C
CE	-50/25°C
CF	-40/70°C
CG	-10/110°C
CK	0/50°C
CN	0/100°C
CP	0/150°C
CQ	0/200°C
CR	0/250°C
CS	0/300°C
CT	100/400°C
CU	*100/550°C

CODE	DUAL SCALE
DB	-100/100°F & -75/40°C
DE	-40/120°F & -40/50°C
-	—
DF	0/200°F & -10/100°C
DG	0/250°F & 20/120°C
DK	20/240°F & -10/110°C
DN	25/125°F & 0/50°C
-	—
DQ	50/300°F & 10/150°C
DR	50/400°F & 0/200°C
DS	50/500°F & 0/250°C
DT	150/750°F & 50/400°C
DU	*200/1000°F & 100/550°C

- Silicone filled models available for extreme vibration or low temperature application

*Not recommended for continuous use above 800°F or 425°C

HOW TO ORDER - PLEASE SPECIFY THE FOLLOWING:

MODEL #	STEM LENGTH	RANGE	OPTIONS
5BK	02 = 2 1/2" stem 09 = 9" stem 04 = 4" stem 12 = 12" stem 06 = 6" stem	2 digit code from tables	AA = Plastic Lens BB = 3/8" Diameter Stem UU = Union Connection MA = Max. and min. hands FF = Silicone Filled Case MO = Max. or min. hand SS = Shatterproof Lens

APPLICATION:

Fits 1/4" stem diameter, bimetal thermometers.
Standard thermowell is stepped to 1/2" OD except 2-1/2" insertion. Please specify if straight shank is required.

PROCESS CONNECTION SIZE:

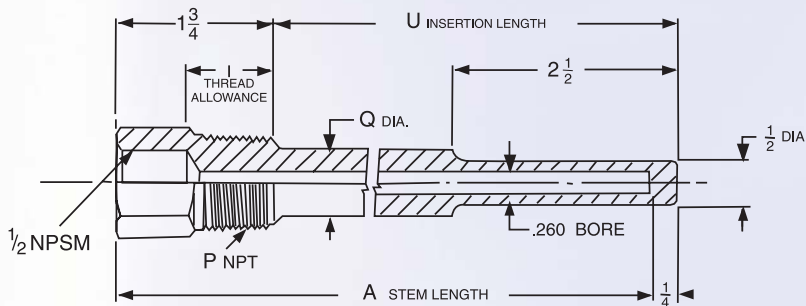
3/4" is standard. Other thread sizes available upon request.

MATERIALS

Brass, 304SS, 316SS. Other materials available upon request.

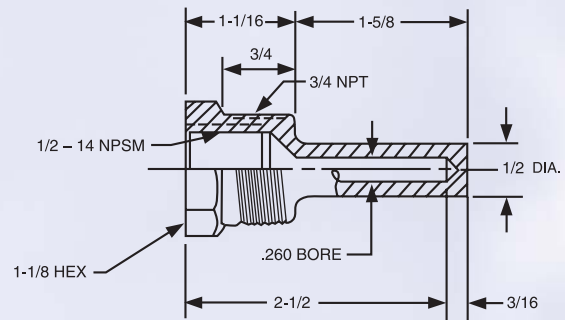
MODEL 2SS

Without lagging extension for 1/4" diameter stem



MODEL 2LS

Limited space thermowell for 2 1/2" stem.



3/4 NPT - CATALOG NUMBERS

A	U	Q	BRASS	304SS	316SS
4	2 1/2	-	2SS413	2SS443	2SS463
6	4 1/2	3/4	2SS613	2SS643	2SS663
9	7 1/2	3/4	2SS913	2SS943	2SS963
12	10 1/2	3/4	2SS1213	2SS1243	2SS1263

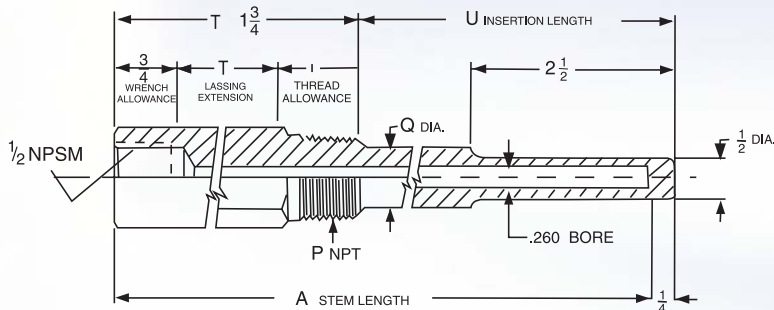
3/4 NPT - CATALOG NUMBERS

	BRASS	304SS	316SS
3/4 NPT	2LS213	2LS243	2LS263

Brass wells are not recommended for installations involving high pressures and/or temperatures over 400°F.

MODEL 2SL

With lagging extension for 1/4" diameter stem



3/4 NPT - CATALOG NUMBERS

A	U	T	Q	BRASS	304SS	316SS
6	2 1/2	2	-	2SL613	2SL643	2SL663
9	4 1/2	3	3/4	2SL913	2SL943	2SL963
12	7 1/2	3	3/4	2SL1213	2SL1243	2SL1263

CAP & CHAIN:

Available upon request for keeping thermowell bore clean when not in use. (Not shown)

ADJUST-ANGLE VAPOR ACTUATED DIAL THERMOMETER - 4 1/2" DIAL MODEL VA45S

STANDARD FEATURES

- 4 1/2" dial size
- Stainless steel case and ring
- Acrylic lens
- Aluminum dial, white finish, black markings
- Progressive graduations offer ideal reading in the upper two thirds of the range
- For standard ranges see page 23
- Adjustable pointer
- Precision geared brass movement
- + or -1 scale division accuracy
- Brass thermowell, 1/2" NPT standard. 2" "U" dimension below thread. Additional sizes, threads and materials available. See page 23.



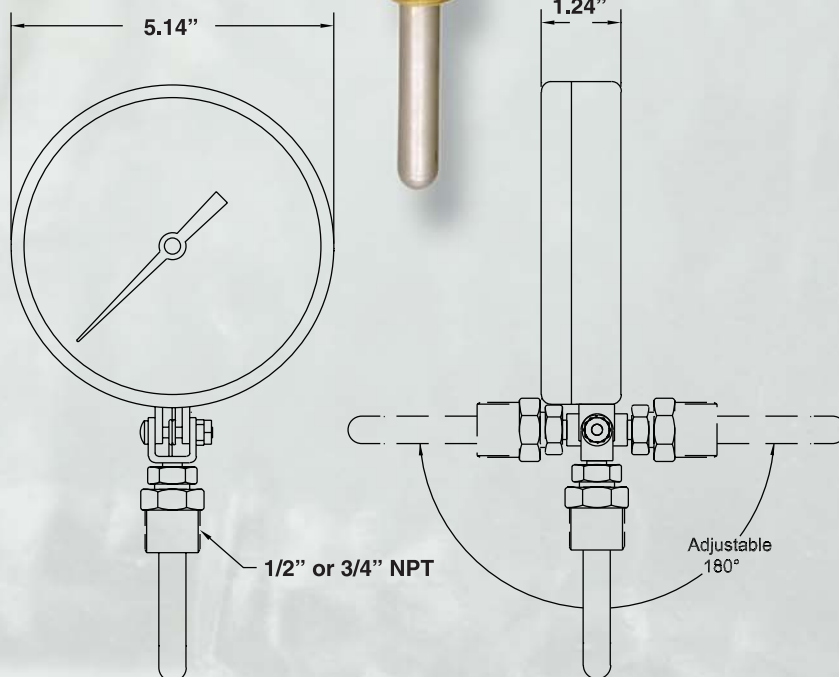
◀ **MODEL VA45S**

STANDARD RANGES

CODE	FAHRENHEIT
01	-40/65F
02	-20/120F
03	20/220F
04	30/300F

CODE	CELSIUS
05	-40/20C
06	0/100C

CODE	DUAL SCALE F & C
07	-40/65F & -40/20C
08	-20/120F & -30/50C
09	20/220F & 0/105C
10	30/300F & 0/150C



21

HOW TO ORDER - PLEASE SPECIFY THE FOLLOWING:

MODEL #	RANGE CODE	IMMERSION LENGTH	THERMOWELL CATALOG NO.
VA45S	2 digit code from table	2 = 2" 4 = 3 1/2"	See Page 23

REMOTE MOUNTED VAPOR ACTUATED DIAL THERMOMETER - 4 1/2" DIAL MODEL VR45P

STANDARD FEATURES

- 4 1/2" dial size
- Glass reinforced Phenolic case
- Stainless steel snap ring
- Glass lens
- Aluminum dial, white finish, black markings
- Progressive graduations offer ideal reading in the upper two thirds of the range
- For standard ranges see page 23
- Adjustable pointer
- Precision geared brass movement
- + or 1 scale division accuracy
- 5ft. bronze braided capillary tubing standard. Additional tubing lengths and materials available
- Brass thermowell, 1/2" NPT standard. 2" "U" dimension below thread. Additional sizes, threads and materials available. See page 23.



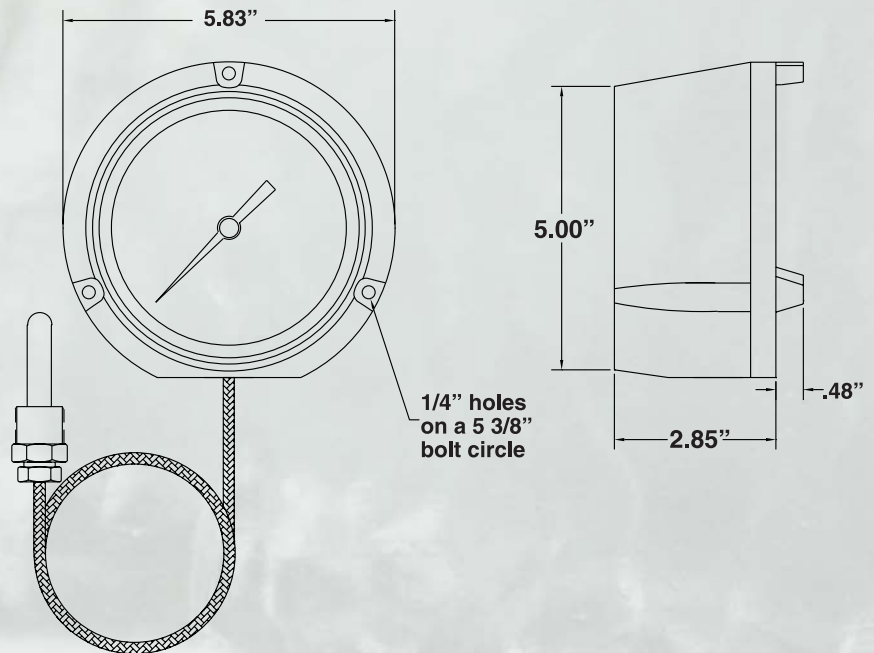
MODEL VR45P

STANDARD RANGES

CODE	FAHRENHEIT
01	-40/65F
02	-20/120F
03	20/220F
04	30/300F

CODE	CELSIUS
05	-40/20C
06	0/100C

CODE	DUAL SCALE F & C
07	-40/65F & -40/20C
08	-20/120F & -30/50C
09	20/220F & 0/105C
10	30/300F & 0/150C

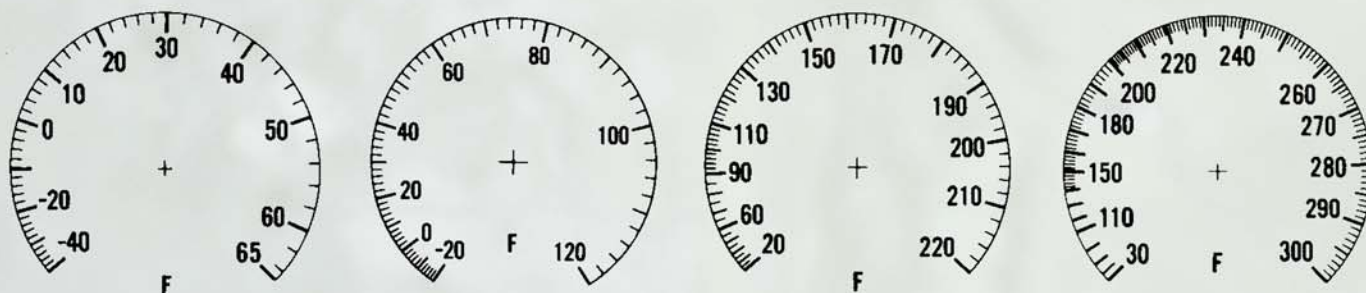


HOW TO ORDER - PLEASE SPECIFY THE FOLLOWING:

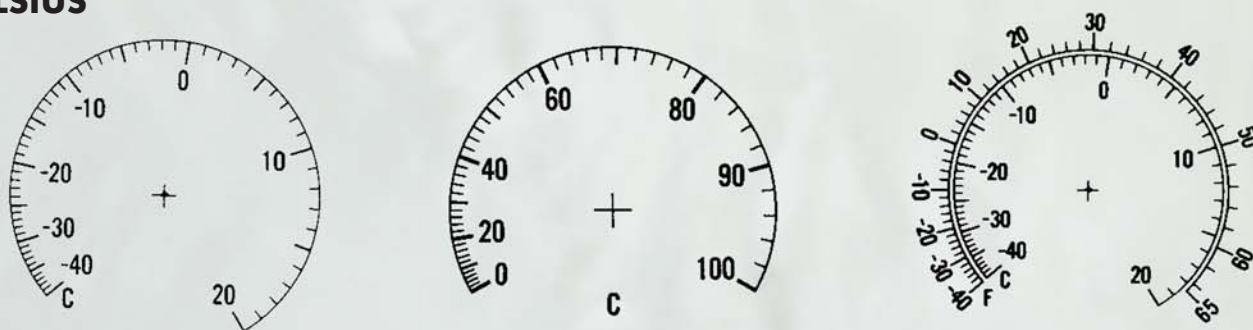
MODEL #	RANGE CODE	TUBING LENGTH	IMMERSION LENGTH	THERMOWELL CATALOG NO.
VR45P	2 digit code from table	05 = 5 FT. 10 = 10 FT. ETC.	2 = 2" 4 = 3 1/2"	See Page 23

DIALS AND THERMOWELLS FOR VAPOR ACTUATED THERMOMETERS

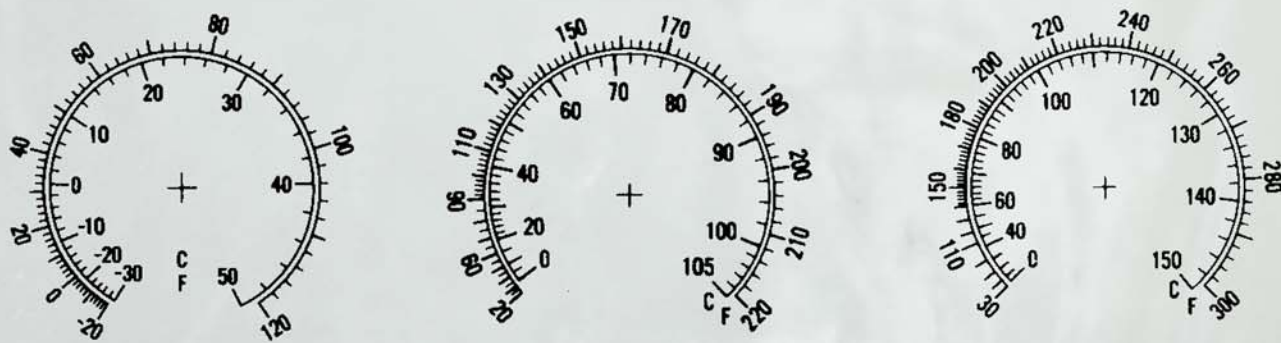
FAHRENHEIT



CELSIUS



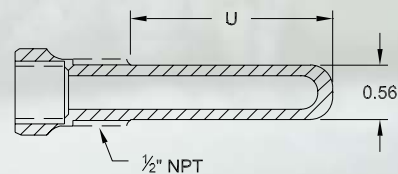
DUAL SCALE



THERMOWELLS

CATALOG NUMBER	PROCESS CONN.	IMMERSION LENGTH "U"	MATERIAL
V22B	1/2" NPT	2"	BRASS
V23B	3/4" NPT	2"	BRASS
V22SS	1/2" NPT	2"	316 ST. ST.
V23SS	3/4" NPT	2"	316 ST. ST.
V42B	1/2" NPT	3 1/2"	BRASS
V43B	3/4" NPT	3 1/2"	BRASS
V42SS	1/2" NPT	3 1/2"	316 ST. ST.
V43SS	3/4" NPT	3 1/2"	316 ST. ST.

MODEL V22 ▶



MODEL V23 ▶

