



gauges



4 1/2" CONTRACTOR GAUGE BRASS BOURDON TUBE AND SOCKET MODEL EA14

STANDARD FEATURES

- 4 1/2" dial size
- Phosphor bronze bourdon tube and brass connection
- Brass movement
- Corrosion resistant stainless steel case and ring
- Recalibrator in face of gauge
- 1% full scale accuracy per ASME B40.1 Grade 1A
- 1/4" NPT bottom connection
- Suitable for water, air, oil, gas or any medium not corrosive to copper alloys
- Siphon required for steam applications



MODEL EA14 ▶

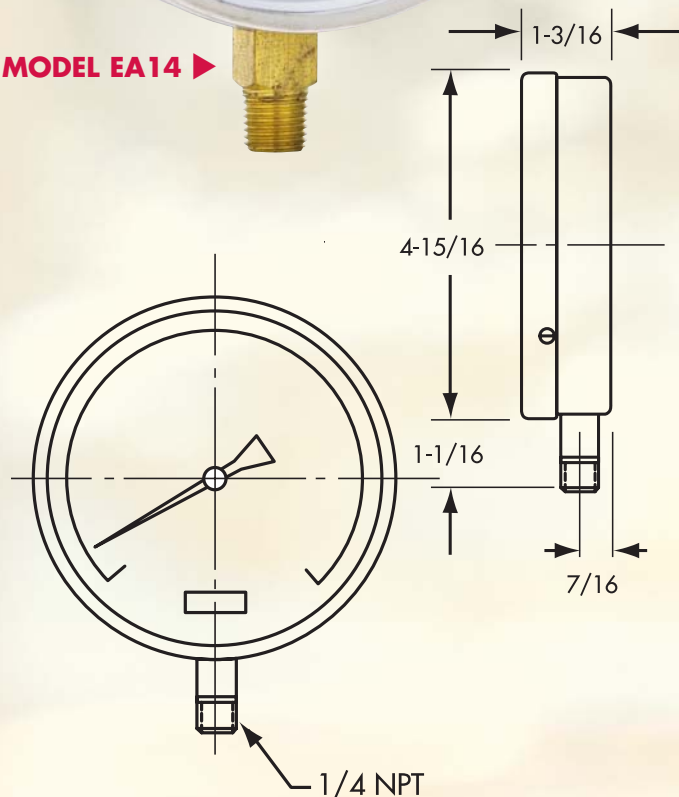
PRESSURE RANGES

CATALOG NO.	DIAL RANGE	FIGURE INTERVALS	SMALLEST GRADUATION
SINGLE SCALE	PSI ONLY	PSI	PSI
EA14-2	0-15	1	.25
EA14-A	0-30	5	.5
EA14-B	0-60	10	1
EA14-C	0-100	10	1
EA14-D	0-160	20	2
EA14-E	0-200	20	2
EA14-F	0-300	50	5
EA14-G	0-500	50	5

VACUUM/COMPOUND RANGES

CATALOG NO.	DIAL RANGE	FIGURE INTERVALS	SMALLEST GRADUATION
SINGLE SCALE	PSI ONLY	PSI	PSI
EA14-H	30"-0" HG VAC	5" HG	.5 HG
EA14-J	30"-0-30	10"HG/10 PSI	1"HG/1 PSI
EA14-K	30"-0-100	15"HG/10 PSI	5"HG/1 PSI
EA14-L	30"-0-150	30"HG/25 PSI	5"HG/5 PSI
EA14-M	30"-0-300	20"HG/50 PSI	5"HG/5 PSI

*Dual Scale PSI and KPA also available



ALTITUDE/PRESSURE RANGES

CAT. NO.	DIAL RANGE	FIGURES	GRADUATIONS
DUAL SCALE	PSI / WATER	PSI / FT	PSI / FT
EA14BALT	0/60 PSI & 0/140 FT	10 / 20	1 / 2
EA14CALT	0/100 PSI & 0/230 FT	10 / 25	2 / 5
EA14DALT	0/160 PSI & 0/375 FT	20 / 50	2 / 5
EA14EALT	0/200 PSI & 0/460 FT	20 / 25	2 / 5

1 1/2" UTILITY GAUGE BRASS BOURDON TUBE AND SOCKET MODEL 15TL8

STANDARD FEATURES

- 1 1/2" dial size
- Brass bourdon tube and socket
- Brass movement
- Black steel case with chrome bezel
- 1/8" NPT bottom connection
- Accuracy: 3/2/3% per ASME B40.1 Grade B
- White scale with black graduations and numerals
Metric readings in blue
- Suitable for water, air, oil, gas or any medium not
corrosive to copper alloys
- Siphon required for steam applications



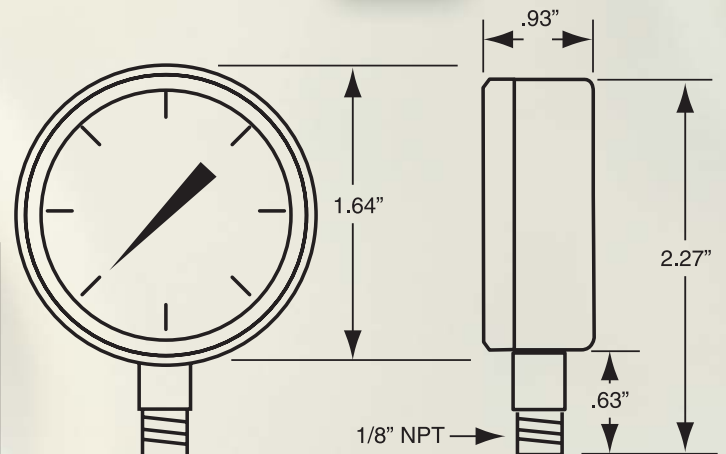
MODEL 15TL ▶

26

STANDARD RANGES

RANGE	CODE	FIGURES	GRADUATIONS
30"/0 VAC	P2	5" HG	0.5" HG
0/15 PSI	PA	2 PSI	0.5 PSI
0/30 PSI	PB	5 PSI	0.5 PSI
0/60 PSI	PC	10 PSI	1 PSI
0/100 PSI	PD	20 PSI	2 PSI
0/160 PSI	PE	20 PSI	2 PSI
0/200 PSI	PF	40 PSI	5 PSI
0/300 PSI	PG	50 PSI	5 PSI
0/400 PSI	PH	50 PSI	5 PSI

Note: Standard scales read PSI, KPA and BAR.



HOW TO ORDER - PLEASE SPECIFY THE FOLLOWING:

MODEL #	RANGE
15TL8	2 digit code from table

1 1/2" UTILITY GAUGE BRASS BOURDON TUBE AND SOCKET MODEL 15TC8

STANDARD FEATURES

- 1 1/2" dial size
- Brass bourdon tube and socket
- Brass movement
- Black steel case with chrome bezel
- 1/8" NPT center back connection
- Accuracy: 3/2/3% per ASME B40.1 Grade B
- White scale with black graduations and numerals
Metric readings in blue
- Suitable for water, air, oil, gas or any medium not corrosive to copper alloys
- Siphon required for steam applications

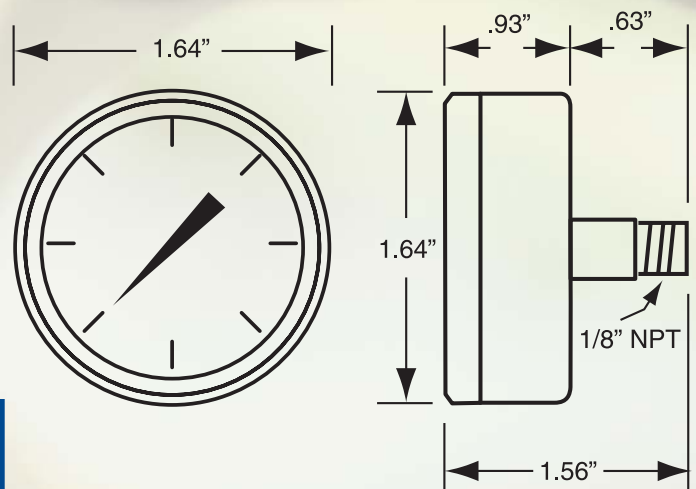


◀ **MODEL 15TC**

STANDARD RANGES

RANGE	CODE	FIGURES	GRADUATIONS
30"/0 VAC	P2	5" HG	0.5" HG
0/15 PSI	PA	2 PSI	0.5 PSI
0/30 PSI	PB	5 PSI	0.5 PSI
0/60 PSI	PC	10 PSI	1 PSI
0/100 PSI	PD	20 PSI	2 PSI
0/160 PSI	PE	20 PSI	2 PSI
0/200 PSI	PF	40 PSI	5 PSI
0/300 PSI	PG	50 PSI	5 PSI
0/400 PSI	PH	50 PSI	5 PSI

Note: Standard scales read PSI, KPA and BAR.



HOW TO ORDER - PLEASE SPECIFY THE FOLLOWING:	
MODEL #	RANGE
15TC8	2 digit code from table

2" UTILITY GAUGE BRASS BOURDON TUBE AND SOCKET MODEL 20TL4

STANDARD FEATURES

- 2" dial size
- Brass bourdon tube and socket
- Brass movement
- Black steel case with chrome bezel
- 1/4" NPT bottom connection
- Accuracy: 3/2/3% per ASME B40.1 Grade B
- White scale with black graduations and numerals
Metric readings in blue
- Suitable for water, air, oil, gas or any medium not
corrosive to copper alloys
- Siphon required for steam applications

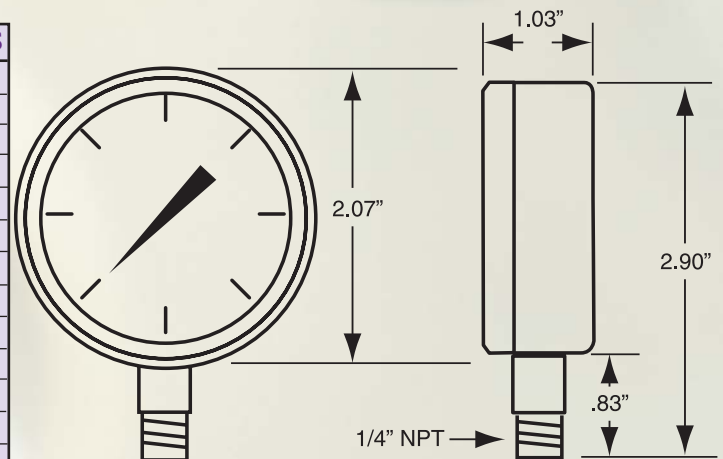


MODEL 20TL ▶

STANDARD RANGES

RANGE	CODE	FIGURES	GRADUATIONS
30"/0 VAC	P2	5" HG	0.5" HG
30"/0/30	P4	10"HG / 10 PSI	1"HG / 1 PSI
30"/0/60	P5	10"HG / 10 PSI	2"HG / 1 PSI
30"/0/100	P6	30"HG / 20 PSI	5"HG / 5 PSI
30"/0/150	P7	30"HG / 20 PSI	5"HG / 2 PSI
30"/0/300	P8	30"HG / 50 PSI	5"HG / 5 PSI
0/15 PSI	PA	2 PSI	0.1 PSI
0/30 PSI	PB	5 PSI	0.25 PSI
0/60 PSI	PC	10 PSI	0.5 PSI
0/100 PSI	PD	20 PSI	1 PSI
0/160 PSI	PE	20 PSI	2 PSI
0/200 PSI	PF	40 PSI	5 PSI
0/300 PSI	PG	50 PSI	5 PSI
0/400 PSI	PH	50 PSI	5 PSI
0/600 PSI	PI	100 PSI	10 PSI

Note: Standard scales read PSI, KPA and BAR.



HOW TO ORDER - PLEASE SPECIFY THE FOLLOWING:

MODEL #	RANGE
20TL4	2 digit code from table

2" UTILITY GAUGE BRASS BOURDON TUBE AND SOCKET MODEL 20TC4

STANDARD FEATURES

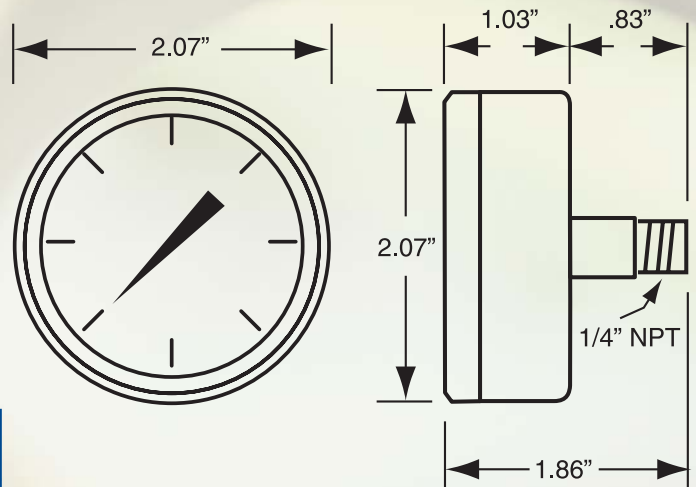
- 2" dial size
- Brass bourdon tube and socket
- Brass movement
- Black steel case with chrome bezel
- 1/4" NPT center back connection
- Accuracy: 3/2/3% per ASME B40.1 Grade B
- White scale with black graduations and numerals
Metric readings in blue
- Suitable for water, air, oil, gas or any medium not
corrosive to copper alloys
- Siphon required for steam applications



STANDARD RANGES

RANGE	CODE	FIGURES	GRADUATIONS
30"/0 VAC	P2	5" HG	0.5" HG
30"/0/30	P4	10"HG / 10 PSI	1"HG / 1 PSI
30"/0/60	P5	10"HG / 10 PSI	2"HG / 1 PSI
30"/0/100	P6	30"HG / 20 PSI	5"HG / 5 PSI
30"/0/150	P7	30"HG / 20 PSI	5"HG / 2 PSI
30"/0/300	P8	30"HG / 50 PSI	5"HG / 5 PSI
0/15 PSI	PA	2 PSI	0.1 PSI
0/30 PSI	PB	5 PSI	0.25 PSI
0/60 PSI	PC	10 PSI	0.5 PSI
0/100 PSI	PD	20 PSI	1 PSI
0/160 PSI	PE	20 PSI	2 PSI
0/200 PSI	PF	40 PSI	5 PSI
0/300 PSI	PG	50 PSI	5 PSI
0/400 PSI	PH	50 PSI	5 PSI
0/600 PSI	PI	100 PSI	10 PSI

Note: Standard scales read PSI, KPA and BAR.



HOW TO ORDER - PLEASE SPECIFY THE FOLLOWING:	
MODEL #	RANGE
20TC4	2 digit code from table

2 1/2" UTILITY GAUGE BRASS BOURDON TUBE AND SOCKET MODEL 25TL4

STANDARD FEATURES

- 2 1/2" dial size
- Brass bourdon tube and socket
- Brass movement
- Black steel case with chrome bezel
- 1/4" NPT bottom connection
- Accuracy: 3/2/3% per ASME B40.1 Grade B
- White scale with black graduations and numerals
Metric readings in blue
- Suitable for water, air, oil, gas or any medium not
corrosive to copper alloys
- Siphon required for steam applications

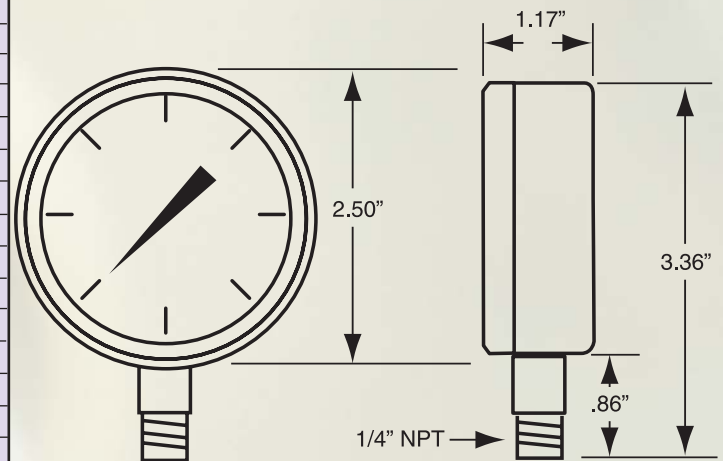


MODEL 25TL ▶

STANDARD RANGES

RANGE	CODE	FIGURES	GRADUATIONS
30"/0 VAC	P2	5" HG	0.5" HG
30"/0/15	P3	10"HG / 5 PSI	1"HG/ .5 PSI
30"/0/30	P4	10"HG / 10 PSI	1"HG / 1 PSI
30"/0/60	P5	10"HG / 10 PSI	2"HG / 1 PSI
30"/0/100	P6	30"HG / 20 PSI	5"HG / 2 PSI
30"/0/150	P7	30"HG / 20 PSI	5"HG / 2 PSI
30"/0/300	P8	30"HG / 50 PSI	5"HG / 5 PSI
0/15 PSI	PA	2 PSI	0.1 PSI
0/30 PSI	PB	5 PSI	0.5 PSI
0/60 PSI	PC	10 PSI	1 PSI
0/100 PSI	PD	20 PSI	2 PSI
0/160 PSI	PE	20 PSI	2 PSI
0/200 PSI	PF	40 PSI	5 PSI
0/300 PSI	PG	50 PSI	5 PSI
0/400 PSI	PH	50 PSI	5 PSI
0/600 PSI	PI	100 PSI	10 PSI
0/1000 PSI	PK	200 PSI	20 PSI

Note: Standard scales read PSI, KPA and BAR.



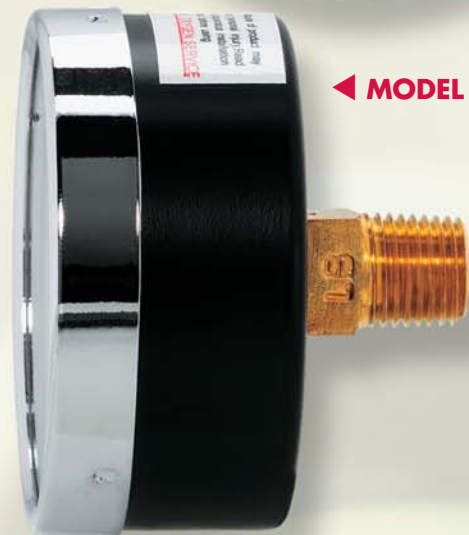
HOW TO ORDER - PLEASE SPECIFY THE FOLLOWING:

MODEL #	RANGE
25TL4	2 digit code from table

2 1/2" UTILITY GAUGE BRASS BOURDON TUBE AND SOCKET MODEL 25TC4

STANDARD FEATURES

- 2 1/2" dial size
- Brass bourdon tube and socket
- Brass movement
- Black steel case with chrome bezel
- 1/4" NPT center back connection
- Accuracy: 3/2/3% per ASME B40.1 Grade B
- White scale with black graduations and numerals
Metric readings in blue
- Suitable for water, air, oil, gas or any medium not corrosive to copper alloys
- Siphon required for steam applications

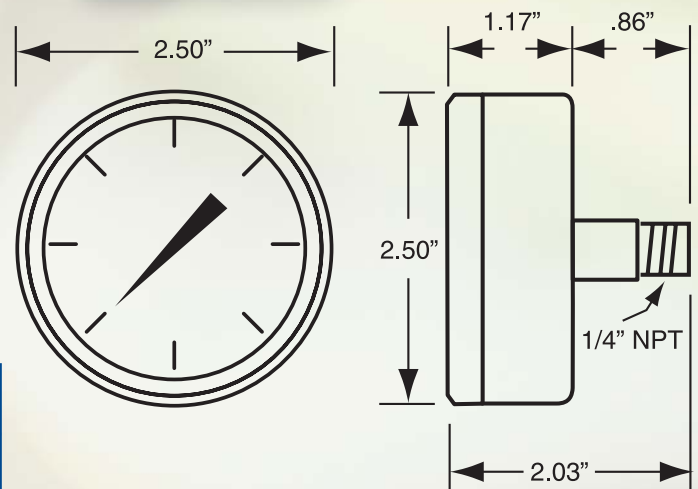


◀ **MODEL 25TC**

STANDARD RANGES

RANGE	CODE	FIGURES	GRADUATIONS
30"/0 VAC	P2	5" HG	0.5" HG
30"/0/15	P3	10"HG / 5 PSI	1"HG/ .5 PSI
30"/0/30	P4	10"HG / 10 PSI	1"HG / 1 PSI
30"/0/60	P5	10"HG / 10 PSI	2"HG / 1 PSI
30"/0/100	P6	30"HG / 20 PSI	5"HG / 2 PSI
30"/0/150	P7	30"HG / 20 PSI	5"HG / 2 PSI
30"/0/300	P8	30"HG / 50 PSI	5"HG / 5 PSI
0/15 PSI	PA	2 PSI	0.1 PSI
0/30 PSI	PB	5 PSI	0.5 PSI
0/60 PSI	PC	10 PSI	1 PSI
0/100 PSI	PD	20 PSI	2 PSI
0/160 PSI	PE	20 PSI	2 PSI
0/200 PSI	PF	40 PSI	5 PSI
0/300 PSI	PG	50 PSI	5 PSI
0/400 PSI	PH	50 PSI	5 PSI
0/600 PSI	PI	100 PSI	10 PSI
0/1000 PSI	PK	200 PSI	20 PSI

Note: Standard scales read PSI, KPA and BAR.



HOW TO ORDER - PLEASE SPECIFY THE FOLLOWING:	
MODEL #	RANGE
25TC4	2 digit code from table

2 1/2" UTILITY GAUGE BRASS BOURDON TUBE AND SOCKET MODEL 25TU4

STANDARD FEATURES

- 2 1/2" dial size
- Brass bourdon tube and socket
- Brass movement
- Chrome plated steel case and bezel with "U" clamp for flush panel mounting
- 1/4" NPT center back connection
- Accuracy: 3/2/3% per ASME B40.1 Grade B
- White scale with black graduations and numerals
Metric readings in blue
- Suitable for water, air, oil, gas or any medium not corrosive to copper alloys
- Siphon required for steam applications

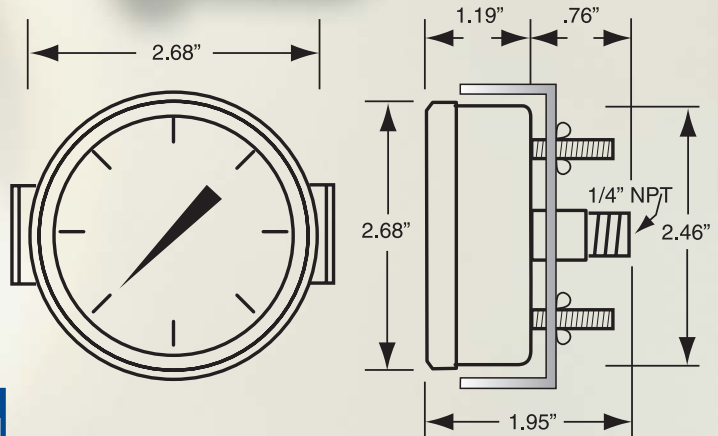


◀ **MODEL 25TU**

STANDARD RANGES

RANGE	CODE	FIGURES	GRADUATIONS
30"/0 VAC	P2	5" HG	0.5" HG
30"/0/15	P3	10"HG / 5 PSI	1"HG/ .5 PSI
30"/0/30	P4	10"HG / 10 PSI	1"HG / 1 PSI
30"/0/60	P5	10"HG / 10 PSI	2"HG / 1 PSI
30"/0/100	P6	30"HG / 20 PSI	5"HG / 2 PSI
30"/0/150	P7	30"HG / 20 PSI	5"HG / 2 PSI
30"/0/300	P8	30"HG / 50 PSI	5"HG / 5 PSI
0/15 PSI	PA	2 PSI	0.1 PSI
0/30 PSI	PB	5 PSI	0.5 PSI
0/60 PSI	PC	10 PSI	1 PSI
0/100 PSI	PD	20 PSI	2 PSI
0/160 PSI	PE	20 PSI	2 PSI
0/200 PSI	PF	40 PSI	5 PSI
0/300 PSI	PG	50 PSI	5 PSI
0/400 PSI	PH	50 PSI	5 PSI
0/600 PSI	PI	100 PSI	10 PSI
0/1000 PSI	PK	200 PSI	20 PSI

Note: Standard scales read PSI, KPA and BAR.



HOW TO ORDER - PLEASE SPECIFY THE FOLLOWING:	
MODEL #	RANGE
25TU4	2 digit code from table

3 1/2" UTILITY GAUGE BRASS BOURDON TUBE AND SOCKET MODEL 35TL4

STANDARD FEATURES

- 3 1/2" dial size
- Brass bourdon tube and socket
- Brass movement
- Black steel case with chrome bezel
- 1/4" NPT bottom connection
- Accuracy: 3/2/3% per ASME B40.1 Grade B
- White scale with black graduations and numerals
Metric readings in blue
- Suitable for water, air, oil, gas or any medium not corrosive to copper alloys
- Siphon required for steam applications

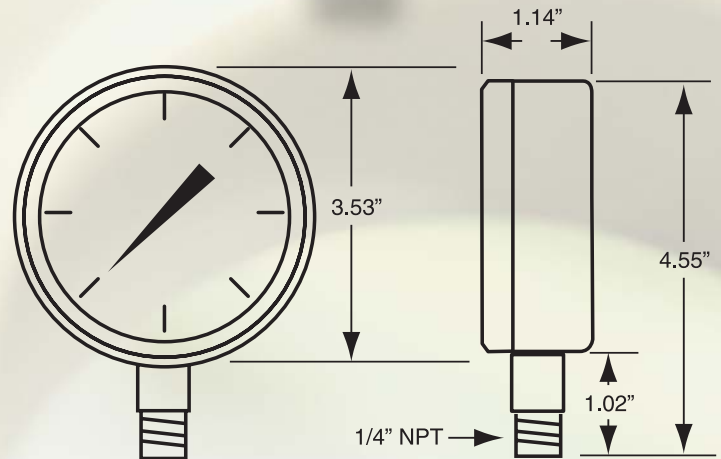


MODEL 35TL ▶

STANDARD RANGES

RANGE	CODE	FIGURES	GRADUATIONS
30"/0 VAC	P2	5" HG	0.5" HG
30"/0/15	P3	10"HG / 5 PSI	1"HG / .5 PSI
30"/0/30	P4	10"HG / 10 PSI	1"HG / 1 PSI
30"/0/60	P5	10"HG / 10 PSI	2"HG / 1 PSI
30"/0/100	P6	30"HG / 20 PSI	5"HG / 2 PSI
30"/0/150	P7	30"HG / 20 PSI	5"HG / 2 PSI
0/15 PSI	PA	2 PSI	0.2 PSI
0/30 PSI	PB	5 PSI	0.5 PSI
0/60 PSI	PC	10 PSI	1 PSI
0/100 PSI	PD	20 PSI	2 PSI
0/160 PSI	PE	20 PSI	2 PSI
0/200 PSI	PF	40 PSI	5 PSI
0/300 PSI	PG	50 PSI	5 PSI
0/400 PSI	PH	50 PSI	5 PSI
0/600 PSI	PI	100 PSI	10 PSI
0/1000 PSI	PK	200 PSI	20 PSI

Note: Standard scales read PSI, KPA and BAR.



HOW TO ORDER - PLEASE SPECIFY THE FOLLOWING:	
MODEL #	RANGE
35TL4	2 digit code from table

2 1/2" GLYCERIN FILLED GAUGE BRASS BOURDON TUBE AND SOCKET MODEL 251L4

STANDARD FEATURES

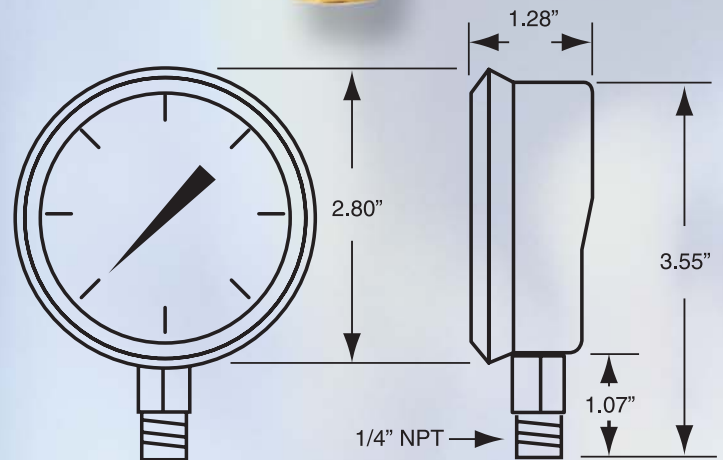
- 2 1/2" dial size
- Brass Bourdon tube and socket
- Brass movement
- Glycerin filled
- Corrosion resistant stainless steel case and ring
- 1.5% full scale accuracy
- 1/4" NPT bottom connection
- White scale with black graduations and numerals
Metric readings in blue
- Suitable for water, air, oil, gas or any medium not corrosive to copper alloys
- Siphon required for steam applications



◀ **MODEL 251L4**

STANDARD RANGES

RANGE	CODE	FIGURES	GRADUATIONS
30"0 VAC	P2	5" HG	0.5" HG
30"0/15	P3	10"HG/5 PSI	1" HG/0.5 PSI
30"0/30	P4	10"HG/10 PSI	1" HG/1 PSI
30"0/60	P5	10"HG/10 PSI	2" HG/1 PSI
30"0/100	P6	30"HG/20 PSI	5" HG/2 PSI
30"0/150	P7	30"HG/20 PSI	5" HG/2 PSI
30"0/300	P8	30"HG/50 PSI	5" HG/10 PSI
0/15 PSI	PA	2 PSI	0.2 PSI
0/30 PSI	PB	5 PSI	0.5 PSI
0/60 PSI	PC	10 PSI	1 PSI
0/100 PSI	PD	20 PSI	2 PSI
0/160 PSI	PE	20 PSI	2 PSI
0/200 PSI	PF	40 PSI	4 PSI
0/300 PSI	PG	50 PSI	5 PSI
0/400 PSI	PH	50 PSI	5 PSI
0/600 PSI	PI	100 PSI	10 PSI
0/800 PSI	PJ	100 PSI	10 PSI
0/1000 PSI	PK	200 PSI	20 PSI
0/1500 PSI	PL	200 PSI	20 PSI
0/2000 PSI	PM	400 PSI	50 PSI
0/3000 PSI	PN	500 PSI	50 PSI
0/5000 PSI	PO	1000 PSI	100 PSI
0/6000 PSI	PX	2000 PSI	200 PSI
0/10,000 PSI	PP	2000 PSI	200 PSI
0/15,000 PSI	PR	2000 PSI	200 PSI



The Glycerin filling in liquid filled gauges helps dampen the effects of pulsation and vibration. While also perpetually lubricating the movement and keeping contaminants away, the liquid extends the life of the gauge.

HOW TO ORDER - PLEASE SPECIFY THE FOLLOWING:

MODEL #	RANGE
251L4	2 digit code from table

Note: Standard scales read PSI, KPA and BAR.

2 1/2" GLYCERIN FILLED GAUGE BRASS BOURDON TUBE AND SOCKET MODEL 251C4

STANDARD FEATURES

- 2 1/2" dial size
- Brass Bourdon tube and socket
- Brass movement
- Glycerin filled
- Corrosion resistant stainless steel case and ring
- 1.5% full scale accuracy
- 1/4" NPT center back connection
- White scale with black graduations and numerals
Metric readings in blue
- Suitable for water, air, oil, gas or any medium not corrosive to copper alloys
- Siphon required for steam applications

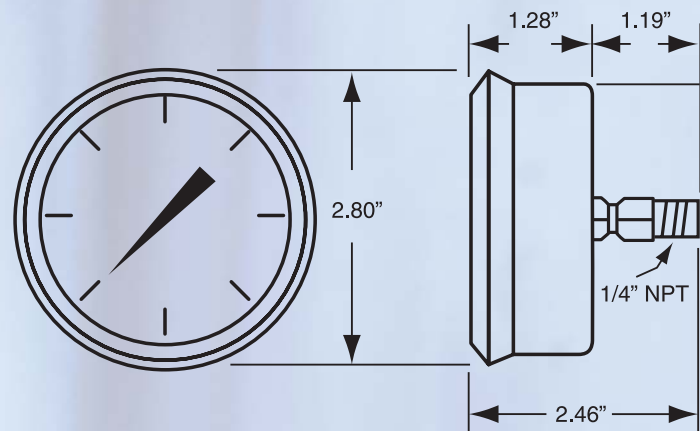


▲ MODEL 251C4

STANDARD RANGES

RANGE	CODE	FIGURES	GRADUATIONS
30"/0 VAC	P2	5" HG	0.5" HG
30"/0/15	P3	10"HG/5 PSI	1" HG/0.5 PSI
30"/0/30	P4	10"HG/10 PSI	1" HG/1 PSI
30"/0/60	P5	10"HG/10 PSI	2" HG/1 PSI
30"/0/100	P6	30"HG/20 PSI	5" HG/2 PSI
30"/0/150	P7	30"HG/20 PSI	5" HG/2 PSI
30"/0/300	P8	30"HG/50 PSI	5" HG/10 PSI
0/15 PSI	PA	2 PSI	0.2 PSI
0/30 PSI	PB	5 PSI	0.5 PSI
0/60 PSI	PC	10 PSI	1 PSI
0/100 PSI	PD	20 PSI	2 PSI
0/160 PSI	PE	20 PSI	2 PSI
0/200 PSI	PF	40 PSI	4 PSI
0/300 PSI	PG	50 PSI	5 PSI
0/400 PSI	PH	50 PSI	5 PSI
0/600 PSI	PI	100 PSI	10 PSI
0/800 PSI	PJ	100 PSI	10 PSI
0/1000 PSI	PK	200 PSI	20 PSI
0/1500 PSI	PL	200 PSI	20 PSI
0/2000 PSI	PM	400 PSI	50 PSI
0/3000 PSI	PN	500 PSI	50 PSI
0/5000 PSI	PO	1000 PSI	100 PSI
0/6000 PSI	PX	2000 PSI	200 PSI
0/10,000 PSI	PP	2000 PSI	200 PSI
0/15,000 PSI	PR	2000 PSI	200 PSI

Note: Standard scales read PSI, KPA and BAR.



The Glycerin filling in liquid filled gauges helps dampen the effects of pulsation and vibration. While also perpetually lubricating the movement and keeping contaminants away, the liquid extends the life of the gauge.

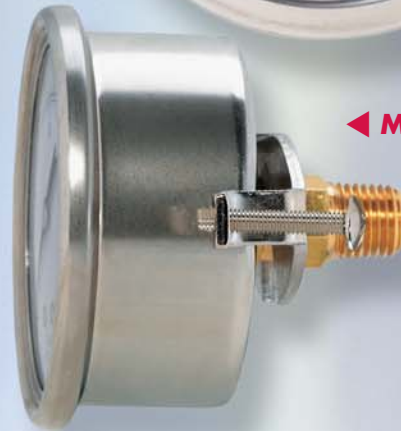
HOW TO ORDER - PLEASE SPECIFY THE FOLLOWING:

MODEL #	RANGE
251C4	2 digit code from table

2 1/2" GLYCERIN FILLED GAUGE BRASS BOURDON TUBE AND SOCKET MODEL 251U4

STANDARD FEATURES

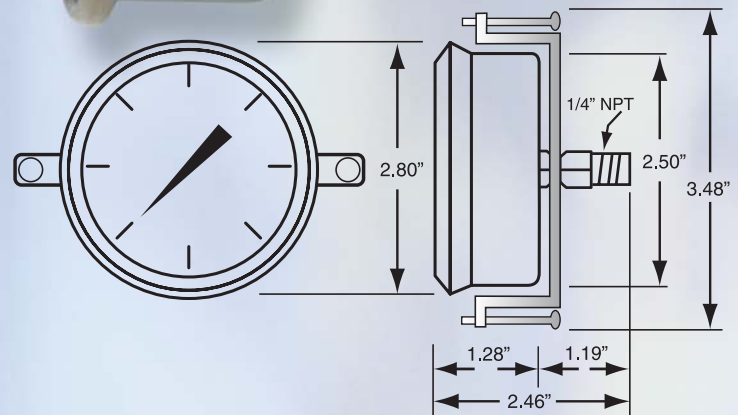
- 2 1/2" dial size
- Brass Bourdon tube and socket
- Brass movement
- Glycerin filled
- Corrosion resistant stainless steel case and ring with "U" clamp for flush panel mounting
- 1.5% full scale accuracy
- 1/4" NPT center back connection
- White scale with black graduations and numerals
Metric readings in blue
- Suitable for water, air, oil, gas or any medium not corrosive to copper alloys
- Siphon required for steam applications



◀ **MODEL 251U4**

STANDARD RANGES

RANGE	CODE	FIGURES	GRADUATIONS
30"/0 VAC	P2	5" HG	0.5" HG
30"/0/15	P3	10"HG/5 PSI	1" HG/0.5 PSI
30"/0/30	P4	10"HG/10 PSI	1" HG/1 PSI
30"/0/60	P5	10"HG/10 PSI	2" HG/1 PSI
30"/0/100	P6	30"HG/20 PSI	5" HG/2 PSI
30"/0/150	P7	30"HG/20 PSI	5" HG/2 PSI
30"/0/300	P8	30"HG/50 PSI	5" HG/10 PSI
0/15 PSI	PA	2 PSI	0.2 PSI
0/30 PSI	PB	5 PSI	0.5 PSI
0/60 PSI	PC	10 PSI	1 PSI
0/100 PSI	PD	20 PSI	2 PSI
0/160 PSI	PE	20 PSI	2 PSI
0/200 PSI	PF	40 PSI	4 PSI
0/300 PSI	PG	50 PSI	5 PSI
0/400 PSI	PH	50 PSI	5 PSI
0/600 PSI	PI	100 PSI	10 PSI
0/800 PSI	PJ	100 PSI	10 PSI
0/1000 PSI	PK	200 PSI	20 PSI
0/1500 PSI	PL	200 PSI	20 PSI
0/2000 PSI	PM	400 PSI	50 PSI
0/3000 PSI	PN	500 PSI	50 PSI
0/5000 PSI	PO	1000 PSI	100 PSI
0/6000 PSI	PX	2000 PSI	200 PSI
0/10,000 PSI	PP	2000 PSI	200 PSI
0/15,000 PSI	PR	2000 PSI	200 PSI



The Glycerin filling in liquid filled gauges helps dampen the effects of pulsation and vibration. While also perpetually lubricating the movement and keeping contaminants away, the liquid extends the life of the gauge.

HOW TO ORDER - PLEASE SPECIFY THE FOLLOWING:

MODEL #	RANGE
251U4	2 digit code from table

Note: Standard scales read PSI, KPA and BAR.

2 1/2" GLYCERIN FILLED GAUGE BRASS BOURDON TUBE AND SOCKET MODEL 251F4

STANDARD FEATURES

- 2 1/2" dial size
- Brass Bourdon tube and socket
- Brass movement
- Glycerin filled
- Corrosion resistant stainless steel case and ring with front flange for flush panel mounting
- 1.5% full scale accuracy
- 1/4" NPT center back connection
- White scale with black graduations and numerals
Metric readings in blue
- Suitable for water, air, oil, gas or any medium not corrosive to copper alloys
- Siphon required for steam applications

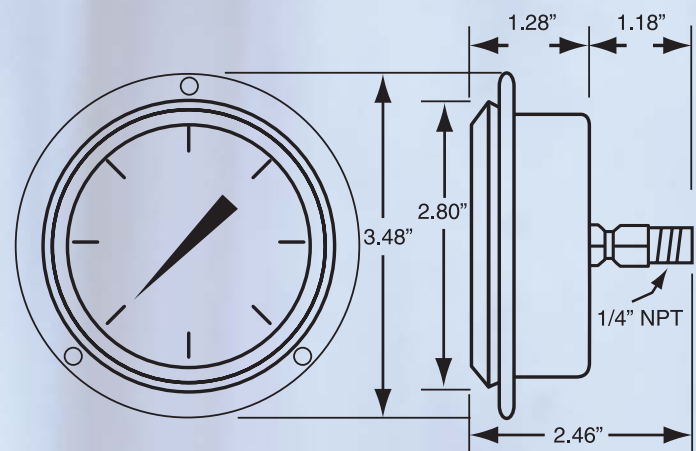


◀ **MODEL 251F4**

STANDARD RANGES

RANGE	CODE	FIGURES	GRADUATIONS
30"/0 VAC	P2	5" HG	0.5" HG
30"/0/15	P3	10"HG/5 PSI	1" HG/0.5 PSI
30"/0/30	P4	10"HG/10 PSI	1" HG/1 PSI
30"/0/60	P5	10"HG/10 PSI	2" HG/1 PSI
30"/0/100	P6	30"HG/20 PSI	5" HG/2 PSI
30"/0/150	P7	30"HG/20 PSI	5" HG/2 PSI
30"/0/300	P8	30"HG/50 PSI	5" HG/10 PSI
0/15 PSI	PA	2 PSI	0.2 PSI
0/30 PSI	PB	5 PSI	0.5 PSI
0/60 PSI	PC	10 PSI	1 PSI
0/100 PSI	PD	20 PSI	2 PSI
0/160 PSI	PE	20 PSI	2 PSI
0/200 PSI	PF	40 PSI	4 PSI
0/300 PSI	PG	50 PSI	5 PSI
0/400 PSI	PH	50 PSI	5 PSI
0/600 PSI	PI	100 PSI	10 PSI
0/800 PSI	PJ	100 PSI	10 PSI
0/1000 PSI	PK	200 PSI	20 PSI
0/1500 PSI	PL	200 PSI	20 PSI
0/2000 PSI	PM	400 PSI	50 PSI
0/3000 PSI	PN	500 PSI	50 PSI
0/5000 PSI	PO	1000 PSI	100 PSI
0/6000 PSI	PX	2000 PSI	200 PSI
0/10,000 PSI	PP	2000 PSI	200 PSI
0/15,000 PSI	PR	2000 PSI	200 PSI

Note: Standard scales read PSI, KPA and BAR.



The Glycerin filling in liquid filled gauges helps dampen the effects of pulsation and vibration. While also perpetually lubricating the movement and keeping contaminants away, the liquid extends the life of the gauge.

HOW TO ORDER - PLEASE SPECIFY THE FOLLOWING:

MODEL #	RANGE
251F4	2 digit code from table

2 1/2" GLYCERIN FILLED GAUGE STAINLESS STEEL BOURDON TUBE AND SOCKET MODEL 254L4

STANDARD FEATURES

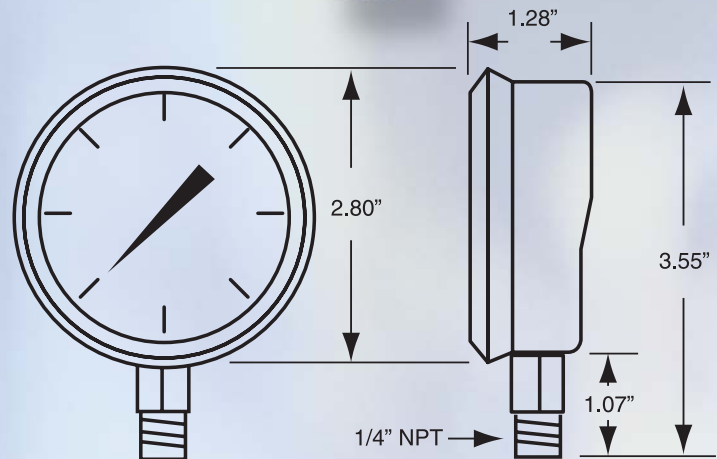
- 2 1/2" dial size
- 316 stainless steel bourdon tube and socket
- Stainless steel movement
- Glycerin filled
- Corrosion resistant stainless steel case and ring
- 1.5% full scale accuracy
- 1/4" NPT bottom connection
- White scale with black graduations and numerals
Metric readings in blue
- Siphon required for steam applications



MODEL 254L4 ▶

STANDARD RANGES

RANGE	CODE	FIGURES	GRADUATIONS
30"/0 VAC	P2	5" HG	0.5" HG
30"/0/15	P3	10"HG/5 PSI	1" HG/0.5 PSI
30"/0/30	P4	10"HG/10 PSI	1" HG/1 PSI
30"/0/60	P5	10"HG/10 PSI	2" HG/1 PSI
30"/0/100	P6	30"HG/20 PSI	5" HG/2 PSI
30"/0/150	P7	30"HG/20 PSI	5" HG/2 PSI
30"/0/300	P8	30"HG/50 PSI	5" HG/10 PSI
0/15 PSI	PA	2 PSI	0.2 PSI
0/30 PSI	PB	5 PSI	0.5 PSI
0/60 PSI	PC	10 PSI	1 PSI
0/100 PSI	PD	20 PSI	2 PSI
0/160 PSI	PE	20 PSI	2 PSI
0/200 PSI	PF	40 PSI	4 PSI
0/300 PSI	PG	50 PSI	5 PSI
0/400 PSI	PH	50 PSI	5 PSI
0/600 PSI	PI	100 PSI	10 PSI
0/800 PSI	PJ	100 PSI	10 PSI
0/1000 PSI	PK	200 PSI	20 PSI
0/1500 PSI	PL	200 PSI	20 PSI
0/2000 PSI	PM	400 PSI	50 PSI
0/3000 PSI	PN	500 PSI	50 PSI
0/5000 PSI	PO	1000 PSI	100 PSI
0/6000 PSI	PX	2000 PSI	200 PSI
0/10,000 PSI	PP	2000 PSI	200 PSI
0/15,000 PSI	PR	2000 PSI	200 PSI



The Glycerin filling in liquid filled gauges helps dampen the effects of pulsation and vibration. While also perpetually lubricating the movement and keeping contaminants away, the liquid extends the life of the gauge.

HOW TO ORDER - PLEASE SPECIFY THE FOLLOWING:

MODEL #	RANGE
254L4	2 digit code from table

Note: Standard scales read PSI, KPA and BAR.

2 1/2" GLYCERIN FILLED GAUGE STAINLESS STEEL BOURDON TUBE AND SOCKET MODEL 254C4

STANDARD FEATURES

- 2 1/2" dial size
- 316 stainless steel bourdon tube and socket
- Stainless steel movement
- Glycerin filled
- Corrosion resistant stainless steel case and ring
- 1.5% full scale accuracy
- 1/4" NPT center back connection
- White scale with black graduations and numerals
Metric readings in blue
- Siphon required for steam applications

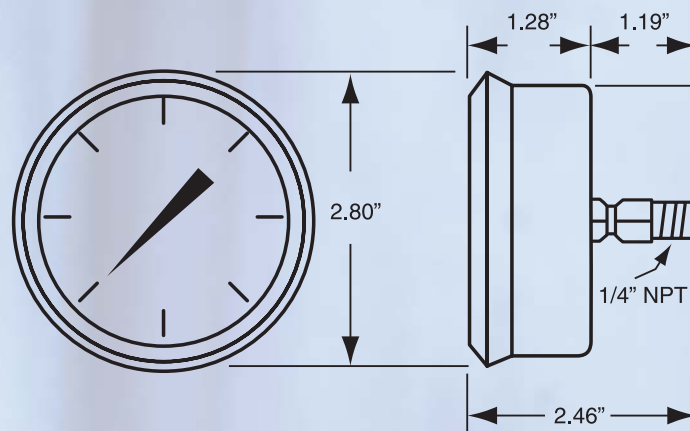


▲ **MODEL 254C4**

STANDARD RANGES

RANGE	CODE	FIGURES	GRADUATIONS
30"/0 VAC	P2	5" HG	0.5" HG
30"/0/15	P3	10"HG/5 PSI	1" HG/0.5 PSI
30"/0/30	P4	10"HG/10 PSI	1" HG/1 PSI
30"/0/60	P5	10"HG/10 PSI	2" HG/1 PSI
30"/0/100	P6	30"HG/20 PSI	5" HG/2 PSI
30"/0/150	P7	30"HG/20 PSI	5" HG/2 PSI
30"/0/300	P8	30"HG/50 PSI	5" HG/10 PSI
0/15 PSI	PA	2 PSI	0.2 PSI
0/30 PSI	PB	5 PSI	0.5 PSI
0/60 PSI	PC	10 PSI	1 PSI
0/100 PSI	PD	20 PSI	2 PSI
0/160 PSI	PE	20 PSI	2 PSI
0/200 PSI	PF	40 PSI	4 PSI
0/300 PSI	PG	50 PSI	5 PSI
0/400 PSI	PH	50 PSI	5 PSI
0/600 PSI	PI	100 PSI	10 PSI
0/800 PSI	PJ	100 PSI	10 PSI
0/1000 PSI	PK	200 PSI	20 PSI
0/1500 PSI	PL	200 PSI	20 PSI
0/2000 PSI	PM	400 PSI	50 PSI
0/3000 PSI	PN	500 PSI	50 PSI
0/5000 PSI	PO	1000 PSI	100 PSI
0/6000 PSI	PX	2000 PSI	200 PSI
0/10,000 PSI	PP	2000 PSI	200 PSI
0/15,000 PSI	PR	2000 PSI	200 PSI

Note: Standard scales read PSI, KPA and BAR.



The Glycerin filling in liquid filled gauges helps dampen the effects of pulsation and vibration. While also perpetually lubricating the movement and keeping contaminants away, the liquid extends the life of the gauge.

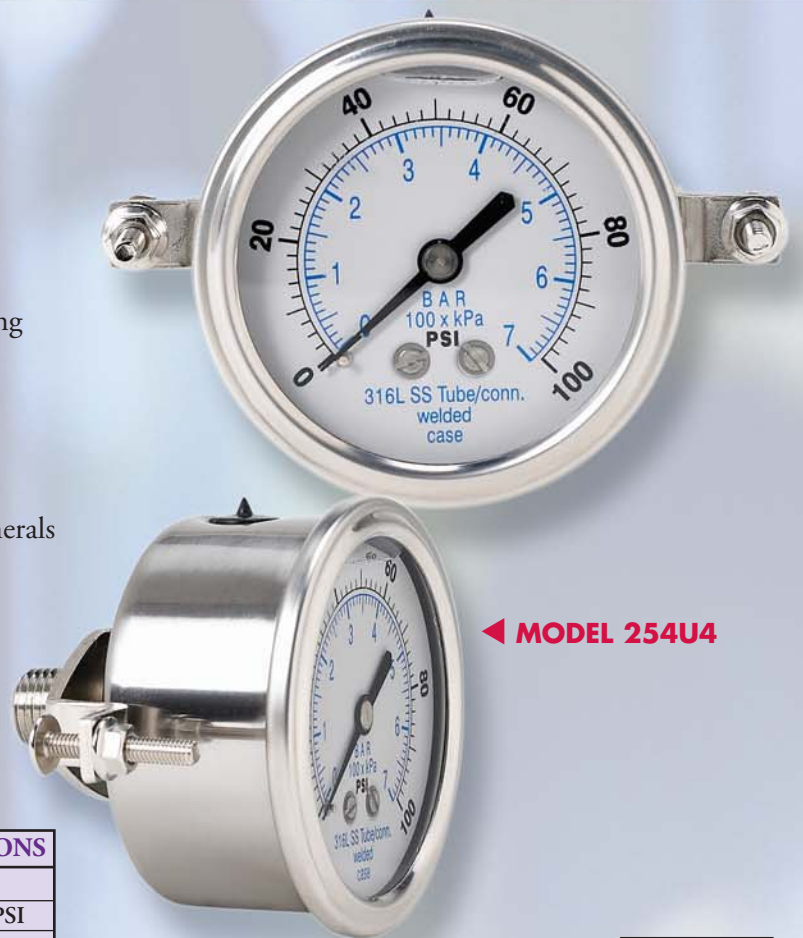
HOW TO ORDER - PLEASE SPECIFY THE FOLLOWING:

MODEL #	RANGE
254C4	2 digit code from table

2 1/2" GLYCERIN FILLED GAUGE STAINLESS STEEL BOURDON TUBE AND SOCKET MODEL 254U4

STANDARD FEATURES

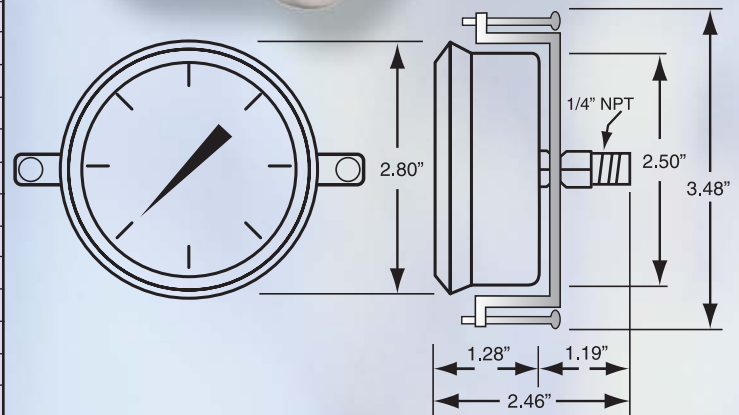
- 2 1/2" dial size
- 316 stainless steel bourdon tube and socket
- Stainless steel movement
- Glycerin filled
- Corrosion resistant stainless steel case and ring with "U" clamp for flush panel mounting
- 1.5% full scale accuracy
- 1/4" NPT center back connection
- White scale with black graduations and numerals
Metric readings in blue
- Siphon required for steam applications



◀ **MODEL 254U4**

STANDARD RANGES

RANGE	CODE	FIGURES	GRADUATIONS
30"/0 VAC	P2	5" HG	0.5" HG
30"/0/15	P3	10"HG/5 PSI	1" HG/0.5 PSI
30"/0/30	P4	10"HG/10 PSI	1" HG/1 PSI
30"/0/60	P5	10"HG/10 PSI	2" HG/1 PSI
30"/0/100	P6	30"HG/20 PSI	5" HG/2 PSI
30"/0/150	P7	30"HG/20 PSI	5" HG/2 PSI
30"/0/300	P8	30"HG/50 PSI	5" HG/10 PSI
0/15 PSI	PA	2 PSI	0.2 PSI
0/30 PSI	PB	5 PSI	0.5 PSI
0/60 PSI	PC	10 PSI	1 PSI
0/100 PSI	PD	20 PSI	2 PSI
0/160 PSI	PE	20 PSI	2 PSI
0/200 PSI	PF	40 PSI	4 PSI
0/300 PSI	PG	50 PSI	5 PSI
0/400 PSI	PH	50 PSI	5 PSI
0/600 PSI	PI	100 PSI	10 PSI
0/800 PSI	PJ	100 PSI	10 PSI
0/1000 PSI	PK	200 PSI	20 PSI
0/1500 PSI	PL	200 PSI	20 PSI
0/2000 PSI	PM	400 PSI	50 PSI
0/3000 PSI	PN	500 PSI	50 PSI
0/5000 PSI	PO	1000 PSI	100 PSI
0/6000 PSI	PX	2000 PSI	200 PSI
0/10,000 PSI	PP	2000 PSI	200 PSI
0/15,000 PSI	PR	2000 PSI	200 PSI



The Glycerin filling in liquid filled gauges helps dampen the effects of pulsation and vibration. While also perpetually lubricating the movement and keeping contaminants away, the liquid extends the life of the gauge.

HOW TO ORDER - PLEASE SPECIFY THE FOLLOWING:

MODEL #	RANGE
254U4	2 digit code from table

Note: Standard scales read PSI, KPA and BAR.

2 1/2" GLYCERIN FILLED GAUGE STAINLESS STEEL BOURDON TUBE AND SOCKET MODEL 254F4

STANDARD FEATURES

- 2 1/2" dial size
- 316 stainless steel bourdon tube and socket
- Stainless steel movement
- Glycerin filled
- Corrosion resistant stainless steel case and ring with front flange for flush panel mounting
- 1.5% full scale accuracy
- 1/4" NPT center back connection
- White scale with black graduations and numerals
Metric readings in blue
- Siphon required for steam applications

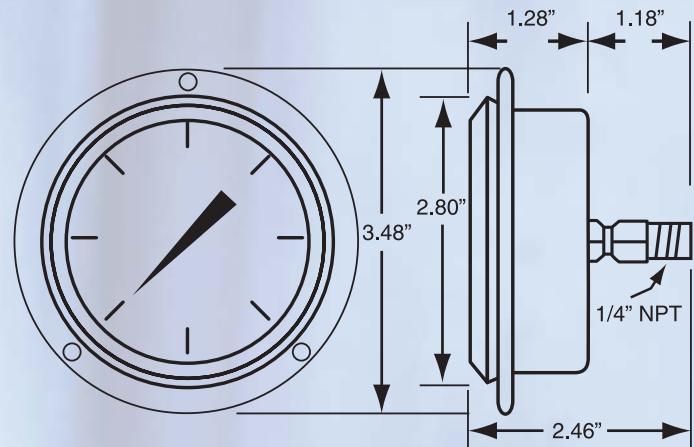


MODEL 254F4 ▶

STANDARD RANGES

RANGE	CODE	FIGURES	GRADUATIONS
30"/0 VAC	P2	5" HG	0.5" HG
30"/0/15	P3	10"HG/5 PSI	1" HG/0.5 PSI
30"/0/30	P4	10"HG/10 PSI	1" HG/1 PSI
30"/0/60	P5	10"HG/10 PSI	2" HG/1 PSI
30"/0/100	P6	30"HG/20 PSI	5" HG/2 PSI
30"/0/150	P7	30"HG/20 PSI	5" HG/2 PSI
30"/0/300	P8	30"HG/50 PSI	5" HG/10 PSI
0/15 PSI	PA	2 PSI	0.2 PSI
0/30 PSI	PB	5 PSI	0.5 PSI
0/60 PSI	PC	10 PSI	1 PSI
0/100 PSI	PD	20 PSI	2 PSI
0/160 PSI	PE	20 PSI	2 PSI
0/200 PSI	PF	40 PSI	4 PSI
0/300 PSI	PG	50 PSI	5 PSI
0/400 PSI	PH	50 PSI	5 PSI
0/600 PSI	PI	100 PSI	10 PSI
0/800 PSI	PJ	100 PSI	10 PSI
0/1000 PSI	PK	200 PSI	20 PSI
0/1500 PSI	PL	200 PSI	20 PSI
0/2000 PSI	PM	400 PSI	50 PSI
0/3000 PSI	PN	500 PSI	50 PSI
0/5000 PSI	PO	1000 PSI	100 PSI
0/6000 PSI	PX	2000 PSI	200 PSI
0/10,000 PSI	PP	2000 PSI	200 PSI
0/15,000 PSI	PR	2000 PSI	200 PSI

Note: Standard scales read PSI, KPA and BAR.



The Glycerin filling in liquid filled gauges helps dampen the effects of pulsation and vibration. While also perpetually lubricating the movement and keeping contaminants away, the liquid extends the life of the gauge.

HOW TO ORDER - PLEASE SPECIFY THE FOLLOWING:

MODEL #	RANGE
254F4	2 digit code from table

4" GLYCERIN FILLED GAUGE BRASS BOURDON TUBE AND SOCKET MODEL 401L4

STANDARD FEATURES

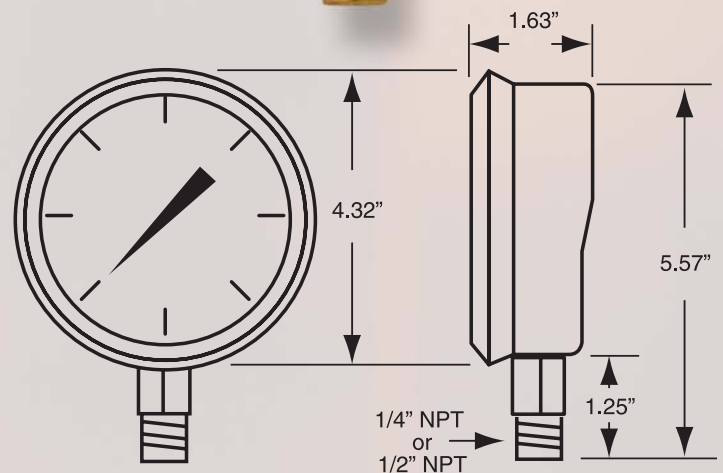
- 4" dial size (100mm)
- Brass bourdon tube and socket
- Brass movement
- Glycerin filled
- Corrosion resistant stainless steel case and ring
- 1% full scale accuracy per ASME B40.1 Grade 1A
- 1/4" NPT bottom connection
- White scale with black graduations and numerals
Metric readings in blue
- Suitable for water, air, oil, gas or any medium
not corrosive to copper alloys
- Siphon required for steam applications

STANDARD RANGES

RANGE	CODE	FIGURES	GRADUATIONS
30"/0" VAC	P2	5 HG	0.5" HG
30"/0/15	P3	10" HG/5 PSI	1" HG/0.5 PSI
30"/0/30	P4	10" HG/10 PSI	1" HG/1 PSI
30"/0/60	P5	10" HG/10 PSI	2" HG/1 PSI
30"/0/100	P6	30" HG/20 PSI	5" HG/2 PSI
30"/0/150	P7	30" HG/20 PSI	5" HG/2 PSI
30"/0/300	P8	30" HG/50 PSI	5" HG/10 PSI
0/15 PSI	PA	2 PSI	0.2 PSI
0/30 PSI	PB	5 PSI	0.5 PSI
0/60 PSI	PC	10 PSI	1 PSI
0/100 PSI	PD	20 PSI	2 PSI
0/160 PSI	PE	20 PSI	2 PSI
0/200 PSI	PF	40 PSI	4 PSI
0/300 PSI	PG	50 PSI	5 PSI
0/400 PSI	PH	50 PSI	5 PSI
0/600 PSI	PI	100 PSI	10 PSI
0/800 PSI	PJ	100 PSI	10 PSI
0/1000 PSI	PK	200 PSI	20 PSI
0/1500 PSI	PL	200 PSI	20 PSI
0/2000 PSI	PM	400 PSI	50 PSI
0/3000 PSI	PN	500 PSI	50 PSI
0/5000 PSI	PO	1000 PSI	100 PSI
0/6000 PSI	PX	2000 PSI	200 PSI
0/10,000 PSI	PP	2000 PSI	200 PSI
0/15,000 PSI	PR	2000 PSI	200 PSI



MODEL 401L ▶



The Glycerin filling in liquid filled gauges helps dampen the effects of pulsation and vibration. While also perpetually lubricating the movement and keeping contaminants away, the liquid extends the life of the gauge.

HOW TO ORDER - PLEASE SPECIFY THE FOLLOWING:

MODEL #	CONNECTION SIZE	RANGE
401L	4 = 1/4" NPT	2 digit code from table

4" GLYCERIN FILLED GAUGE BRASS BOURDON TUBE AND SOCKET MODEL 401C4

STANDARD FEATURES

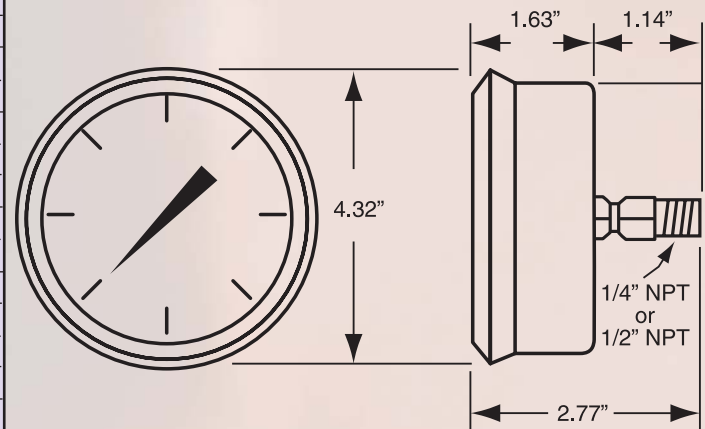
- 4" dial size (100mm)
- Brass bourdon tube and socket
- Brass movement
- Glycerin filled
- Corrosion resistant stainless steel case and ring
- 1% full scale accuracy per ASME B40.1 Grade 1A
- 1/4" NPT center back connection
- White scale with black graduations and numerals
Metric readings in blue
- Suitable for water, air, oil, gas or any medium
not corrosive to copper alloys
- Siphon required for steam applications

STANDARD RANGES

RANGE	CODE	FIGURES	GRADUATIONS
30"/0" VAC	P2	5 HG	0.5" HG
30"/0/15	P3	10" HG/5 PSI	1" HG/0.5 PSI
30"/0/30	P4	10" HG/10 PSI	1" HG/1 PSI
30"/0/60	P5	10" HG/10 PSI	2" HG/1 PSI
30"/0/100	P6	30" HG/20 PSI	5" HG/2 PSI
30"/0/150	P7	30" HG/20 PSI	5" HG/2 PSI
30"/0/300	P8	30" HG/50 PSI	5" HG/10 PSI
0/15 PSI	PA	2 PSI	0.2 PSI
0/30 PSI	PB	5 PSI	0.5 PSI
0/60 PSI	PC	10 PSI	1 PSI
0/100 PSI	PD	20 PSI	2 PSI
0/160 PSI	PE	20 PSI	2 PSI
0/200 PSI	PF	40 PSI	4 PSI
0/300 PSI	PG	50 PSI	5 PSI
0/400 PSI	PH	50 PSI	5 PSI
0/600 PSI	PI	100 PSI	10 PSI
0/800 PSI	PJ	100 PSI	10 PSI
0/1000 PSI	PK	200 PSI	20 PSI
0/1500 PSI	PL	200 PSI	20 PSI
0/2000 PSI	PM	400 PSI	50 PSI
0/3000 PSI	PN	500 PSI	50 PSI
0/5000 PSI	PO	1000 PSI	100 PSI
0/6000 PSI	PX	2000 PSI	200 PSI
0/10,000 PSI	PP	2000 PSI	200 PSI
0/15,000 PSI	PR	2000 PSI	200 PSI



MODEL 401C



The Glycerin filling in liquid filled gauges helps dampen the effects of pulsation and vibration. While also perpetually lubricating the movement and keeping contaminants away, the liquid extends the life of the gauge.

HOW TO ORDER - PLEASE SPECIFY THE FOLLOWING:

MODEL #	CONNECTION SIZE	RANGE
401C	4 = 1/4" NPT	2 digit code from table

4" GLYCERIN FILLED GAUGE STAINLESS STEEL BOURDON TUBE AND SOCKET MODEL 404L

STANDARD FEATURES

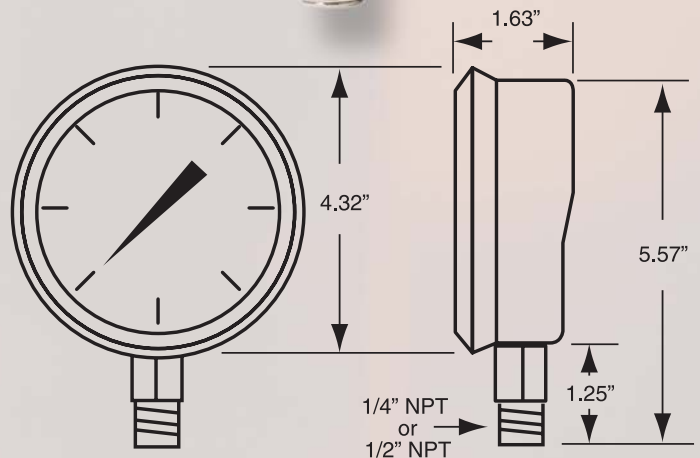
- 4" dial size (100mm)
- 316 stainless steel tube and socket
- Stainless steel movement
- Glycerin filled
- Corrosion resistant stainless steel case and ring
- 1% full scale accuracy per ASME B40.1 Grade 1A
- 1/4" NPT or 1/2" NPT bottom connection
- White scale with black graduations and numerals
Metric readings in blue
- Siphon required for steam applications

STANDARD RANGES

RANGE	CODE	FIGURES	GRADUATIONS
30"/0" VAC	P2	5 HG	0.5" HG
30"/0/15	P3	10" HG/5 PSI	1" HG/0.5 PSI
30"/0/30	P4	10" HG/10 PSI	1" HG/1 PSI
30"/0/60	P5	10" HG/10 PSI	2" HG/1 PSI
30"/0/100	P6	30" HG/20 PSI	5" HG/2 PSI
30"/0/150	P7	30" HG/20 PSI	5" HG/2 PSI
30"/0/300	P8	30" HG/50 PSI	5" HG/10 PSI
0/15 PSI	PA	2 PSI	0.2 PSI
0/30 PSI	PB	5 PSI	0.5 PSI
0/60 PSI	PC	10 PSI	1 PSI
0/100 PSI	PD	20 PSI	2 PSI
0/160 PSI	PE	20 PSI	2 PSI
0/200 PSI	PF	40 PSI	4 PSI
0/300 PSI	PG	50 PSI	5 PSI
0/400 PSI	PH	50 PSI	5 PSI
0/600 PSI	PI	100 PSI	10 PSI
0/800 PSI	PJ	100 PSI	10 PSI
0/1000 PSI	PK	200 PSI	20 PSI
0/1500 PSI	PL	200 PSI	20 PSI
0/2000 PSI	PM	400 PSI	50 PSI
0/3000 PSI	PN	500 PSI	50 PSI
0/5000 PSI	PO	1000 PSI	100 PSI
0/6000 PSI	PX	2000 PSI	200 PSI
0/10,000 PSI	PP	2000 PSI	200 PSI
0/15,000 PSI	PR	2000 PSI	200 PSI



MODEL 404L ▶



The Glycerin filling in liquid filled gauges helps dampen the effects of pulsation and vibration. While also perpetually lubricating the movement and keeping contaminants away, the liquid extends the life of the gauge.

HOW TO ORDER - PLEASE SPECIFY THE FOLLOWING:

MODEL #	CONNECTION SIZE	RANGE
404L	2 = 1/2" NPT 4 = 1/4" NPT	2 digit code from table

4" GLYCERIN FILLED GAUGE STAINLESS STEEL BOURDON TUBE AND SOCKET MODEL 404C

STANDARD FEATURES

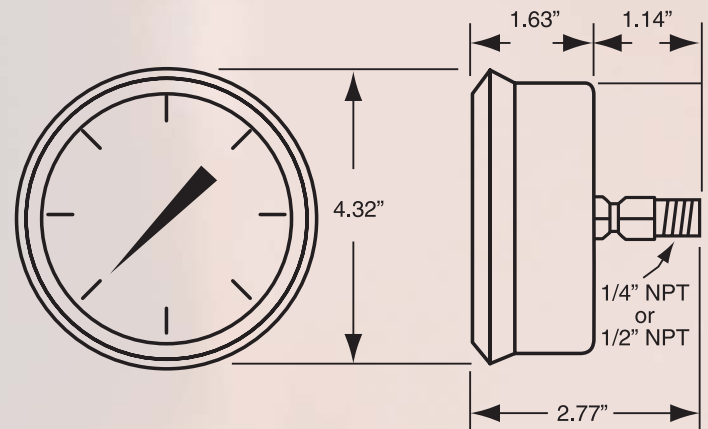
- 4" dial size (100mm)
- 316 stainless steel tube and socket
- Stainless steel movement
- Glycerin filled
- Corrosion resistant stainless steel case and ring
- 1% full scale accuracy per ASME B40.1 Grade 1A
- 1/2" NPT or 1/4" NPT center back connection
- White scale with black graduations and numerals
- Siphon required for steam applications



MODEL 404C

STANDARD RANGES

RANGE	CODE	FIGURES	GRADUATIONS
30"/0" VAC	P2	5 HG	0.5" HG
30"/0/15	P3	10" HG/5 PSI	1" HG/0.5 PSI
30"/0/30	P4	10" HG/10 PSI	1" HG/1 PSI
30"/0/60	P5	10" HG/10 PSI	2" HG/1 PSI
30"/0/100	P6	30" HG/20 PSI	5" HG/2 PSI
30"/0/150	P7	30" HG/20 PSI	5" HG/2 PSI
30"/0/300	P8	30" HG/50 PSI	5" HG/10 PSI
0/15 PSI	PA	2 PSI	0.2 PSI
0/30 PSI	PB	5 PSI	0.5 PSI
0/60 PSI	PC	10 PSI	1 PSI
0/100 PSI	PD	20 PSI	2 PSI
0/160 PSI	PE	20 PSI	2 PSI
0/200 PSI	PF	40 PSI	4 PSI
0/300 PSI	PG	50 PSI	5 PSI
0/400 PSI	PH	50 PSI	5 PSI
0/600 PSI	PI	100 PSI	10 PSI
0/800 PSI	PJ	100 PSI	10 PSI
0/1000 PSI	PK	200 PSI	20 PSI
0/1500 PSI	PL	200 PSI	20 PSI
0/2000 PSI	PM	400 PSI	50 PSI
0/3000 PSI	PN	500 PSI	50 PSI
0/5000 PSI	PO	1000 PSI	100 PSI
0/6000 PSI	PX	2000 PSI	200 PSI
0/10,000 PSI	PP	2000 PSI	200 PSI
0/15,000 PSI	PR	2000 PSI	200 PSI



The Glycerin filling in liquid filled gauges helps dampen the effects of pulsation and vibration. While also perpetually lubricating the movement and keeping contaminants away, the liquid extends the life of the gauge.

HOW TO ORDER - PLEASE SPECIFY THE FOLLOWING:		
MODEL #	CONNECTION SIZE	RANGE
404C	2 = 1/2" NPT 4 = 1/4" NPT	2 digit code from table

2 1/2" LOW PRESSURE GAUGE BRASS CAPSULE AND SOCKET MODEL 25KL4

STANDARD FEATURES

- 2 1/2" dial size
- Brass internals and connection
- Brass movement
- Chrome case with twist lock plastic lens
- 1/4" NPT bottom connection
- Accuracy: 1.5% full scale
- White scale with black graduations and numerals

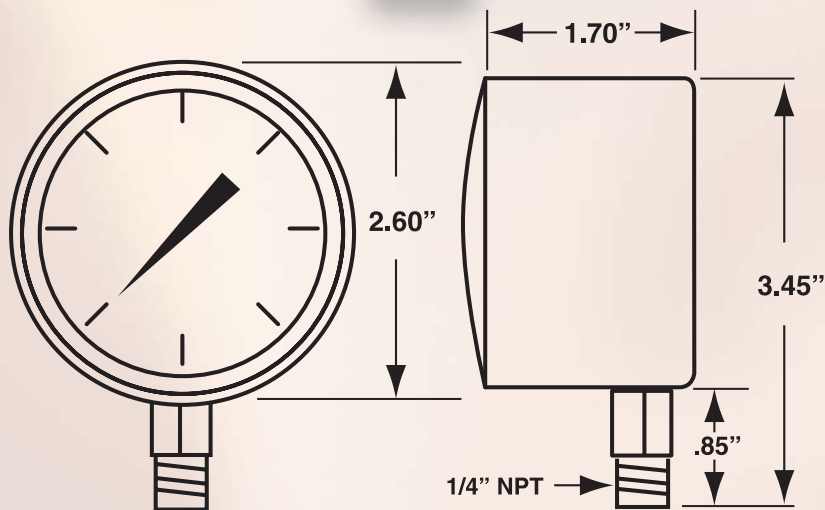


MODEL 25KL ▶

46

STANDARD RANGES

RANGE	CODE	GRADUATIONS
30-0"WC VAC	VB	5" WC
0-10"WC	LA	5" WC
0-15"WC	LB	.2" WC
0-30"WC	LC	.5" WC
0/35"WC/20oz.	LK	.5" WC
0/60"WC/35oz.	LD	1" WC
0-100"WC	LE	2" WC
0-160"WC	LF	5" WC
0-200"WC	LG	5" WC
0-3 PSI	LH	.05 PSI
0-5 PSI	LI	.1 PSI
0-10 PSI	LJ	.2 PSI



HOW TO ORDER - PLEASE SPECIFY THE FOLLOWING:

MODEL #	RANGE
25KL4	2 digit code from table

2 1/2" LOW PRESSURE GAUGE BRASS CAPSULE AND SOCKET MODEL 25KC4

STANDARD FEATURES

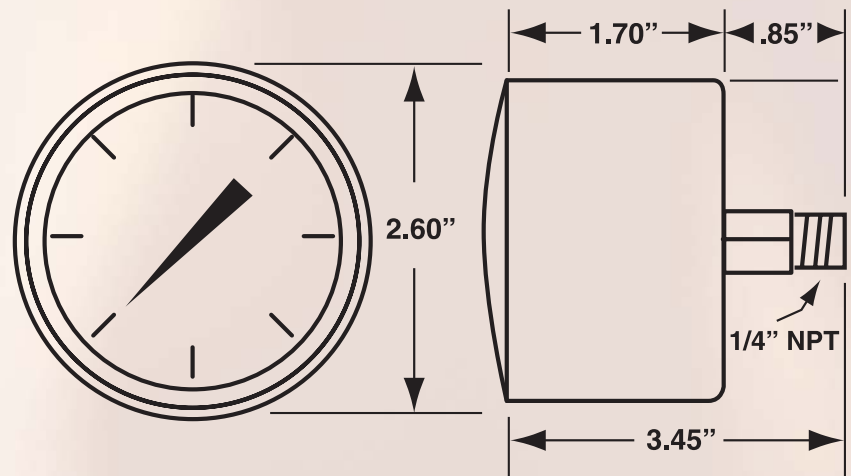
- 2 1/2" dial size
- Brass internals and connection
- Brass movement
- Chrome case with twist lock plastic lens
- 1/4" NPT center back connection
- Accuracy: 1.5% full scale
- White scale with black graduations and numerals



▲ MODEL 25KC

STANDARD RANGES

RANGE	CODE	GRADUATIONS
30-0"WC VAC	VB	5" WC
0-10"WC	LA	5" WC
0-15"WC	LB	.2" WC
0-30"WC	LC	.5" WC
0/35"WC/20oz.	LK	.5" WC
0/60"WC/35oz.	LD	1" WC
0-100"WC	LE	2" WC
0-160"WC	LF	5" WC
0-200"WC	LG	5" WC
0-3 PSI	LH	.05 PSI
0-5 PSI	LI	.1 PSI
0-10 PSI	LJ	.2 PSI



HOW TO ORDER - PLEASE SPECIFY THE FOLLOWING:

MODEL #	RANGE
25KC4	2 digit code from table

4 1/2" PROCESS GAUGE BRASS BOURDON TUBE AND SOCKET MODEL HA14-4

STANDARD FEATURES

- 4 1/2" dial size
- Brass bourdon tube and socket
- Heavy duty stainless steel movement with underload and overload stops
- Solid front aluminum back flanged safety case
- 1/2% full scale accuracy per ASME B40.1 Grade 2A
- Balanced micrometer adjustable pointer
- 1/4" NPT bottom connection
- Glass lens

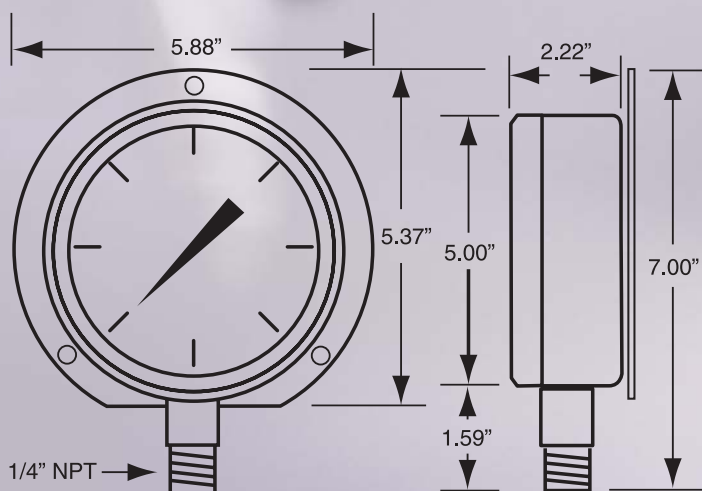


MODEL HA14-4 ▶

48

STANDARD RANGES

RANGE	CODE	FIGURES	GRADUATIONS
30"/0 VAC	VC	5" HG	0.2" HG
30" -0-15	CA	10"HG/5 PSI	1"HG/.5 PSI
30" -0-30	CB	10"HG/5 PSI	1"HG/.5 PSI
30" -0-60	CC	10"HG/10 PSI	2"HG/1 PSI
30" -0-100	CD	10"HG/20 PSI	2"HG/1 PSI
0-15 PSI	PC	3 PSI	0.2 PSI
0-30 PSI	PD	5 PSI	0.2 PSI
0-60 PSI	PE	5 PSI	0.5 PSI
0-100 PSI	PF	10 PSI	1 PSI
0-160 PSI	PG	20 PSI	1 PSI
0-200 PSI	PH	20 PSI	2 PSI
0-300 PSI	PJ	50 PSI	2 PSI
0-400 PSI	PK	50 PSI	2 PSI
0-600 PSI	PM	50 PSI	5 PSI
0-1000 PSI	PP	100 PSI	10 PSI



HOW TO ORDER - PLEASE SPECIFY THE FOLLOWING:

MODEL #	RANGE	CONNECTION SIZE	CONNECTION LOCATION
HA14-4	2 digit code from table	4 = 1/4" NPT	L = Lower

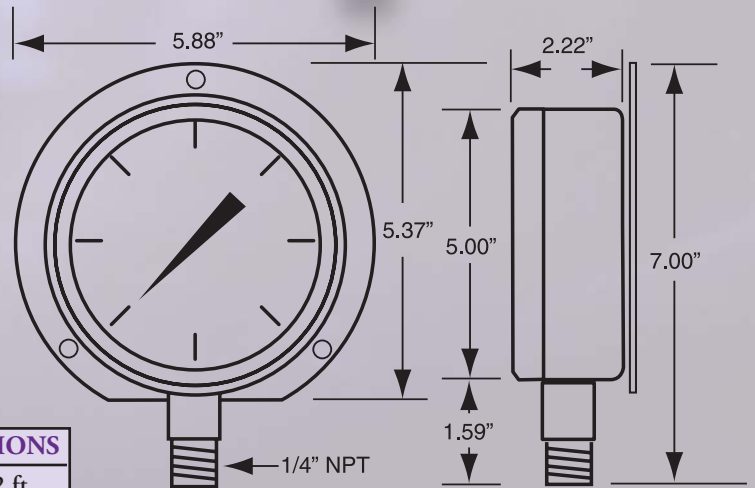
4 1/2" ALTITUDE GAUGE BRASS BOURDON TUBE AND SOCKET MODEL HA14-4ALT

STANDARD FEATURES

- 4 1/2" dial size
- Dial reads in PSI and feet of water
- Red set hand
- Brass bourdon tube and socket
- Heavy duty stainless steel movement with underload and overload stops
- Solid front aluminum back flanged safety case
- 1/2% full scale accuracy per ASME B40.1 Grade 2A
- Balanced micrometer adjustable pointer
- 1/4" NPT bottom connection
- Plastic lens



MODEL HA14-4 ALT ▶



PRESSURE/ALTITUDE RANGES

RANGE	CODE	FIGURES	GRADUATIONS
0/15 PSI & 0/35 ft	AA	2 PSI / 5 ft	.1 PSI / .2 ft
0/30 PSI & 0/70 ft	AB	5 PSI / 10 ft	.2 PSI / .5 ft
0/60 PSI & 0/140 ft	AC	10 PSI / 20 ft	.4 PSI / 1 ft
0/100 PSI & 0/230 ft	AD	10 PSI / 50 ft	1 PSI / 2 ft
0/160 PSI & 0/370 ft	AE	20 PSI / 50 ft	1 PSI / 2 ft
0/200 PSI & 0/460 ft	AF	20 PSI / 50 ft	2 PSI / 5 ft

HOW TO ORDER - PLEASE SPECIFY THE FOLLOWING:

MODEL #	RANGE	CONNECTION SIZE	CONNECTION LOCATION
HA14-4ALT	2 digit code from table	4 = 1/4" NPT	L = Lower

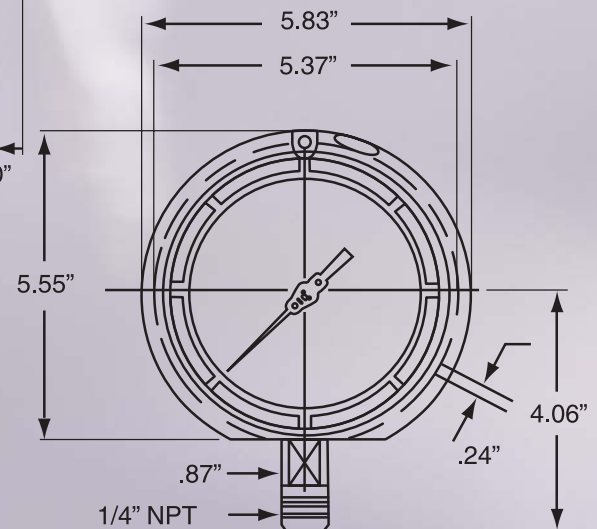
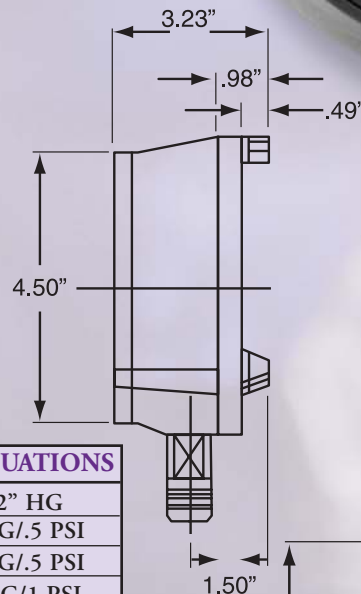
4 1/2" PROCESS GAUGE BRASS BOURDON TUBE AND SOCKET MODEL HA14-P & MODEL HY14-P

STANDARD FEATURES

- 4 1/2" dial size
- Phosphor bronze bourdon tube and brass socket
- Heavy duty brass movement
- Solid front fiberglass reinforced thermoplastic case
- Available dry or factory glycerin filled
- Liquid fillable with optional 1-piece kit
- 1/2% full scale accuracy per ASME B40.1 Grade 2A
- Balanced micrometer adjustable pointer
- 1/4" NPT, bottom connection
- Acrylic lens



MODEL HA14-P



STANDARD RANGES

RANGE	CODE	FIGURES	GRADUATIONS
30"/0 VAC	VC	5" HG	0.2" HG
30" -0-15	CA	10"HG/5 PSI	1"HG/.5 PSI
30" -0-30	CB	10"HG/5 PSI	1"HG/.5 PSI
30" -0-60	CC	10"HG/10 PSI	2"HG/1 PSI
30" -0-100	CD	10"HG/20 PSI	2"HG/1 PSI
0-15 PSI	PC	3 PSI	0.2 PSI
0-30 PSI	PD	5 PSI	0.2 PSI
0-60 PSI	PE	5 PSI	0.5 PSI
0-100 PSI	PF	10 PSI	1 PSI
0-160 PSI	PG	20 PSI	1 PSI
0-200 PSI	PH	20 PSI	2 PSI
0-300 PSI	PJ	50 PSI	2 PSI
0-400 PSI	PK	50 PSI	2 PSI
0-600 PSI	PM	50 PSI	5 PSI
0-1000 PSI	PP	100 PSI	10 PSI

HOW TO ORDER - PLEASE SPECIFY THE FOLLOWING:

MODEL #	RANGE	CONNECTION SIZE	CONNECTION LOCATION
HA14-P (dry case)	2 digit code from table	4 = 1/4" NPT	L = Lower
HY14-P (filled case)			

4 1/2" PROCESS GAUGE STAINLESS STEEL BOURDON TUBE AND SOCKET MODEL 45PL & MODEL 45LL

STANDARD FEATURES

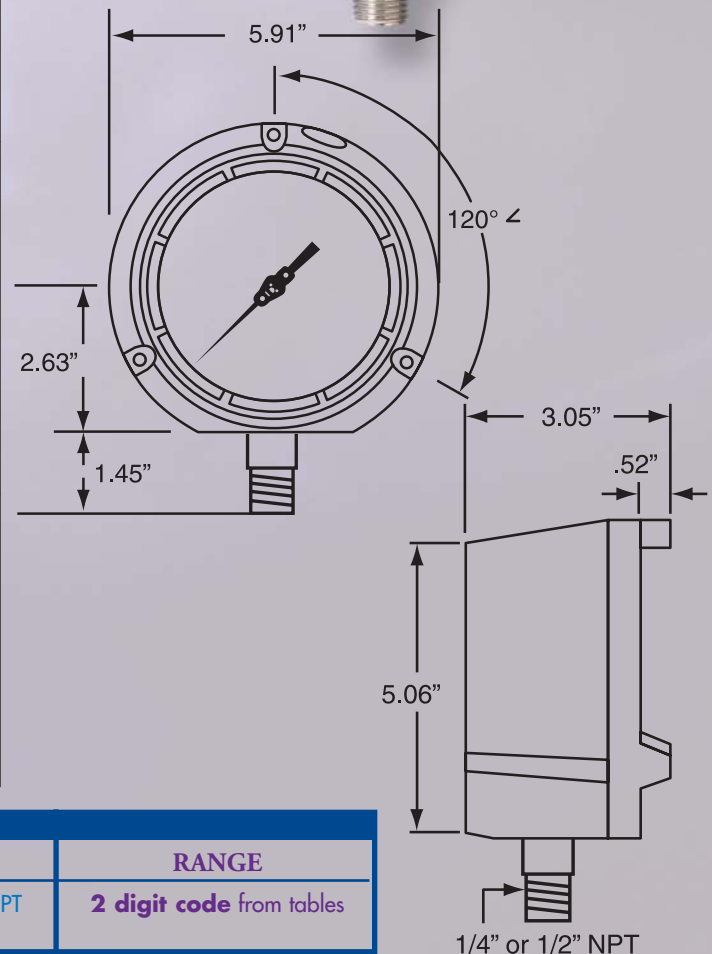
- 4 1/2" dial size
- 316 stainless steel bourbon tube and socket
- Heavy duty stainless steel movement with underload and overload stops
- Solid front hermetically sealed phenolic case
- Available dry or factory glycerin filled
- Field fillable
- 1/2% full scale accuracy per ASME B40.1 Grade 2A
- Balanced micrometer adjustable pointer
- 1/2" NPT or 1/4" NPT bottom connection
- Plastic lens

STANDARD RANGES

RANGE	CODE	FIGURES	GRADUATIONS
30" /0 VAC	P2	5" HG	0.2"
30" -0-15	P3	10"HG/5 PSI	1"HG/5 PSI
30" -0-30	P4	10"HG/5 PSI	1"HG/5 PSI
30" -0-60	P5	10"HG/10 PSI	1"HG/1 PSI
30" -0-100	P6	10"HG/20 PSI	1"HG/1 PSI
30" -0-150	P7	10"HG/30 PSI	1"HG/2 PSI
30" -0-200	P9	10"HG/50 PSI	1"HG/2 PSI
30" -0-300	P8	10"HG/50 PSI	1"HG/5 PSI
30" -0-600	C2	10"HG/100 PSI	1"HG/10 PSI
0-15 PSI	PA	3 PSI	0.2 PSI
0-30 PSI	PB	5 PSI	0.2 PSI
0-60 PSI	PC	5 PSI	0.5 PSI
0-100 PSI	PD	10 PSI	1 PSI
0-160 PSI	PE	20 PSI	1 PSI
0-200 PSI	PF	20 PSI	2 PSI
0-300 PSI	PG	50 PSI	2 PSI
0-400 PSI	PH	50 PSI	2 PSI
0-600 PSI	PI	50 PSI	5 PSI
0-800 PSI	PJ	100 PSI	5 PSI
0-1000 PSI	PK	100 PSI	10 PSI
0-1500 PSI	PL	250 PSI	10 PSI
0-2000 PSI	PM	200 PSI	20 PSI
0-3000 PSI	PV	500 PSI	20 PSI
0-5000 PSI	PO	1000 PSI	50 PSI
0-10,000 PSI	PP	1000 PSI	100 PSI
0-15,000 PSI	PR	2,500 PSI	100 PSI
0-20,000 PSI	PS	2,000 PSI	200 PSI



▲
MODEL 45PL



51

HOW TO ORDER - PLEASE SPECIFY THE FOLLOWING:		
MODEL #	CONNECTION SIZE	RANGE
45PL (dry case)	2 = 1/2" NPT 4 = 1/4" NPT	2 digit code from tables
45LL (filled case)		

4 1/2" PROCESS GAUGE STAINLESS STEEL BOURDON TUBE AND SOCKET MODEL 45PB & MODEL 45LB

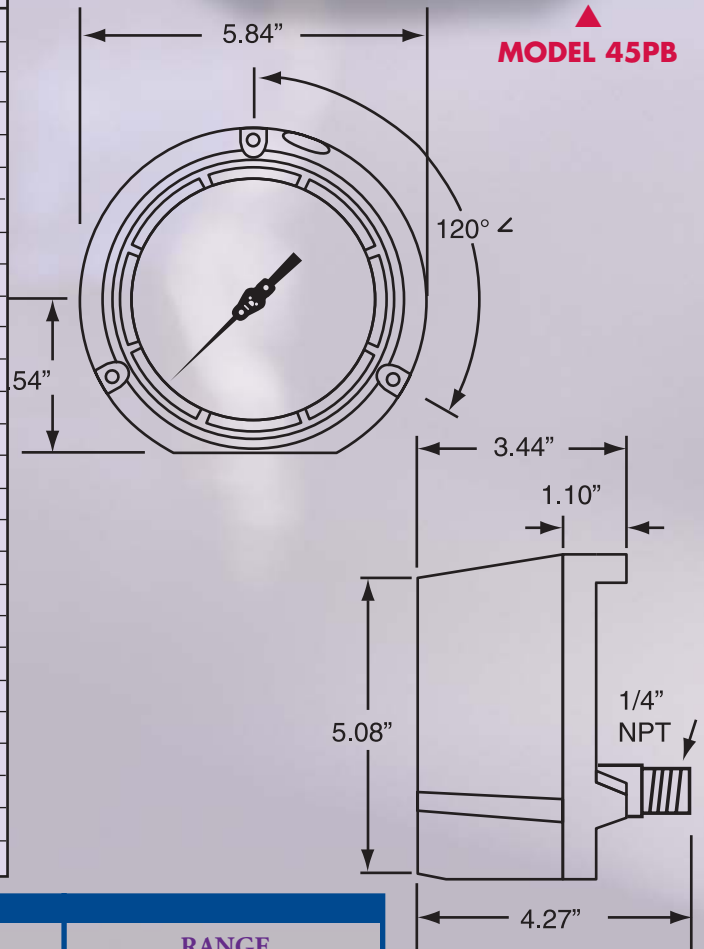
STANDARD FEATURES

- 4 1/2" dial size
- 316 stainless steel bourbon tube and socket
- Heavy duty stainless steel movement with underload and overload stops
- Solid front hermetically sealed phenolic case
- Available dry or factory glycerin filled
- Field fillable
- 1/2% full scale accuracy per ANSI B40.1 Grade 2A
- Balanced micrometer adjustable pointer
- 1/4" NPT lower back connection
- Plastic lens



STANDARD RANGES

RANGE	CODE	FIGURES	GRADUATIONS
30" 0 VAC	P2	5" HG	0.2"
30" -0-15	P3	10" HG/5 PSI	1" HG/5 PSI
30" -0-30	P4	10" HG/5 PSI	1" HG/5 PSI
30" -0-60	P5	10" HG/10 PSI	1" HG/1 PSI
30" -0-100	P6	10" HG/20 PSI	1" HG/1 PSI
30" -0-150	P7	10" HG/30 PSI	1" HG/2 PSI
30" -0-200	P9	10" HG/50 PSI	1" HG/2 PSI
30" -0-300	P8	10" HG/50 PSI	1" HG/5 PSI
30" -0-600	C2	10" HG/100 PSI	1" HG/10 PSI
0-15 PSI	PA	3 PSI	0.2 PSI
0-30 PSI	PB	5 PSI	0.2 PSI
0-60 PSI	PC	5 PSI	0.5 PSI
0-100 PSI	PD	10 PSI	1 PSI
0-160 PSI	PE	20 PSI	1 PSI
0-200 PSI	PF	20 PSI	2 PSI
0-300 PSI	PG	50 PSI	2 PSI
0-400 PSI	PH	50 PSI	2 PSI
0-600 PSI	PI	50 PSI	5 PSI
0-800 PSI	PJ	100 PSI	5 PSI
0-1000 PSI	PK	100 PSI	10 PSI
0-1500 PSI	PL	250 PSI	10 PSI
0-2000 PSI	PM	200 PSI	20 PSI
0-3000 PSI	PV	500 PSI	20 PSI
0-5000 PSI	PO	1000 PSI	50 PSI
0-10,000 PSI	PP	1000 PSI	100 PSI
0-15,000 PSI	PR	2,500 PSI	100 PSI
0-20,000 PSI	PS	2,000 PSI	200 PSI



MODEL 45PB

HOW TO ORDER - PLEASE SPECIFY THE FOLLOWING:

MODEL #	CONNECTION SIZE	RANGE
45PB (dry case) 45LB (filled case)	4 = 1/4" NPT	2 digit code from tables

4 1/2" PROCESS GAUGE STAINLESS STEEL BOURDON TUBE AND SOCKET MODEL HA44-8 & MODEL HY44-8

STANDARD FEATURES

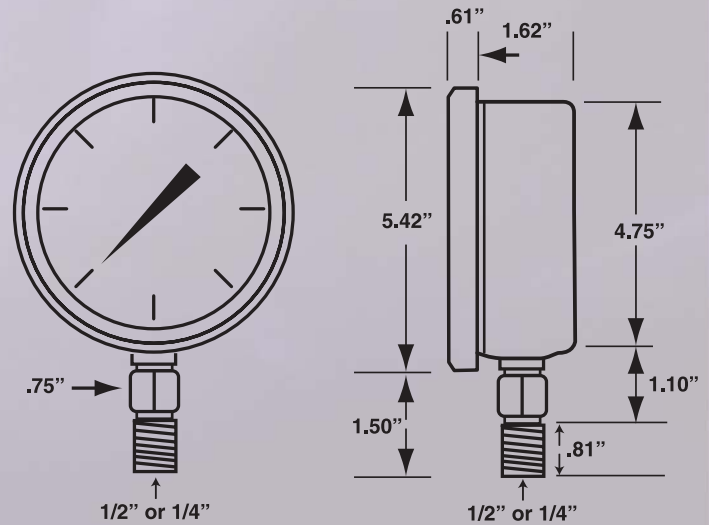
- 4 1/2" dial size
- 316 stainless steel bourbon tube and socket
- Heavy duty stainless steel movement
- Solid front stainless steel safety case available dry or factory glycerin filled.
- Field fillable
- 1/2% full scale accuracy per ASME B40.1 Grade 2A
- Balanced micrometer adjustable pointer
- 1/4" or 1/2" NPT bottom connection
- Laminated safety glass lens

STANDARD RANGES

RANGE	CODE	FIGURES	GRADUATIONS
30"/0 VAC	P2	5" HG	0.2"
30" -0-15	P3	10"HG/5 PSI	1"HG/.5 PSI
30" -0-30	P4	10"HG/5 PSI	1"HG/.5 PSI
30" -0-60	P5	10"HG/10 PSI	1"HG/1 PSI
30" -0-100	P6	10"HG/20 PSI	1"HG/1 PSI
30" -0-150	P7	10"HG/30 PSI	1"HG/2 PSI
30" -0-200	P9	10"HG/50 PSI	1"HG/2 PSI
30" -0-300	P8	10"HG/50 PSI	1"HG/5 PSI
30" -0-600	C2	10"HG/100 PSI	1"HG/10 PSI
0-15 PSI	PA	3 PSI	0.2 PSI
0-30 PSI	PB	5 PSI	0.2 PSI
0-60 PSI	PC	5 PSI	0.5 PSI
0-100 PSI	PD	10 PSI	1 PSI
0-160 PSI	PE	20 PSI	1 PSI
0-200 PSI	PF	20 PSI	2 PSI
0-300 PSI	PG	50 PSI	2 PSI
0-400 PSI	PH	50 PSI	2 PSI
0-600 PSI	PI	50 PSI	5 PSI
0-1000 PSI	PK	100 PSI	10 PSI
0-1500 PSI	PL	250 PSI	10 PSI
0-2000 PSI	PM	200 PSI	20 PSI
0-3000 PSI	PV	500 PSI	20 PSI
0-5000 PSI	PO	1000 PSI	50 PSI
0-10,000 PSI	PP	1000 PSI	100 PSI
0-15,000 PSI	PR	2,500 PSI	100 PSI
0-20,000 PSI	PS	2,000 PSI	200 PSI



◀ **MODEL HA44-8**



HOW TO ORDER - PLEASE SPECIFY THE FOLLOWING:

MODEL #	RANGE	CONNECTION SIZE	CONNECTION LOCATION
HA44-8 (dry case)	2 digit code from table	4 = 1/4" NPT	L = Lower
HY44-8 (filled case)		2 = 1/2" NPT	

6" PROCESS GAUGE STAINLESS STEEL BOURDON TUBE AND SOCKET MODEL HA46-Y & MODEL HY46-Y

STANDARD FEATURES

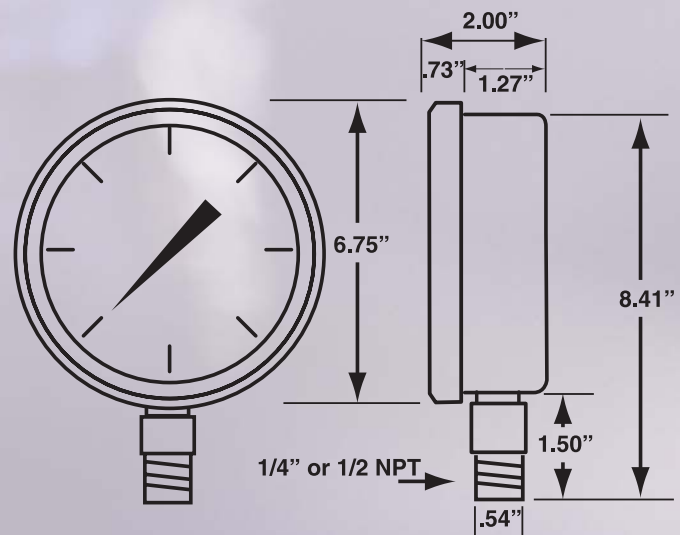
- 6" dial size
- 316 stainless steel bourbon tube and socket
- Heavy duty stainless steel movement with underload and overload stops
- Stainless steel case available dry or factory glycerin filled.
- Field fillable
- 1/2% full scale accuracy per ASME B40.1 Grade 2A
- Balanced micrometer adjustable pointer
- 1/4" or 1/2" NPT bottom connection
- Plastic lens

STANDARD RANGES

RANGE	CODE	FIGURES	GRADUATIONS
30"/0 VAC	P2	5" HG	0.2"
30" -0-15	P3	10"HG/5 PSI	1"HG/5 PSI
30" -0-30	P4	10"HG/5 PSI	1"HG/5 PSI
30" -0-60	P5	10"HG/10 PSI	1"HG/1 PSI
30" -0-100	P6	10"HG/20 PSI	1"HG/1 PSI
30" -0-150	P7	10"HG/30 PSI	1"HG/2 PSI
30" -0-200	P9	10"HG/50 PSI	1"HG/2 PSI
30" -0-300	P8	10"HG/50 PSI	1"HG/5 PSI
30" -0-600	C2	10"HG/100 PSI	1"HG/10 PSI
0-15 PSI	PA	3 PSI	0.2 PSI
0-30 PSI	PB	5 PSI	0.2 PSI
0-60 PSI	PC	5 PSI	0.5 PSI
0-100 PSI	PD	10 PSI	1 PSI
0-160 PSI	PE	20 PSI	1 PSI
0-200 PSI	PF	20 PSI	2 PSI
0-300 PSI	PG	50 PSI	2 PSI
0-400 PSI	PH	50 PSI	2 PSI
0-600 PSI	PI	50 PSI	5 PSI
0-1000 PSI	PK	100 PSI	10 PSI
0-1500 PSI	PL	250 PSI	10 PSI
0-2000 PSI	PM	200 PSI	20 PSI
0-3000 PSI	PV	500 PSI	20 PSI
0-5000 PSI	PO	1000 PSI	50 PSI
0-10,000 PSI	PP	1000 PSI	100 PSI
0-15,000 PSI	PR	2,500 PSI	100 PSI
0-20,000 PSI	PS	2,000 PSI	200 PSI



◀ **MODEL HA46-Y**



HOW TO ORDER - PLEASE SPECIFY THE FOLLOWING:

MODEL #	RANGE	CONNECTION SIZE	CONNECTION LOCATION
HA46-Y (dry case)	2 digit code from table	4 = 1/4" NPT	L = Lower
HY46-Y (filled case)		2 = 1/2" NPT	

4 1/2" GENERAL SERVICE GAUGE BRASS BOURDON TUBE AND SOCKET MODEL 45RL4

STANDARD FEATURES

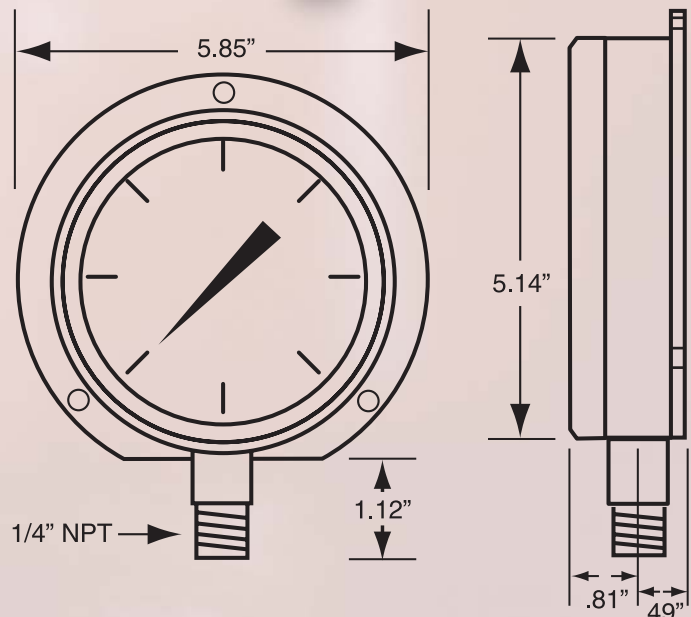
- 4 1/2" dial size
- Brass bourdon tube and socket
- Brass movement
- Glass reinforced plastic case
- 1% full scale accuracy per ASME B40.1 Grade 1A
- 1/4" NPT bottom connection
- Glass lens
- White scale with black graduations and numerals
- Suitable for water, air, oil, gas or any medium not corrosive to copper alloys
- Siphon required for steam applications



MODEL 45RL4 ▶

STANDARD RANGES

RANGE	CODE	FIGURES	GRADUATIONS
30"/0 VAC	P2	5" HG	1" HG
30" -0-15	P3	10"HG/5 PSI	2"HG/1 PSI
30" -0-30	P4	10"HG/5 PSI	2"HG/1 PSI
30" -0-60	P5	10"HG/10 PSI	1"HG/1 PSI
30" -0-100	P6	30"HG/20 PSI	5"HG/2 PSI
30" -0-150	P7	30"HG/20 PSI	5"HG/2 PSI
30" -0-300	P8	30"HG/50 PSI	0"HG/10 PSI
0-15 PSI	PA	2 PSI	0.1 PSI
0-30 PSI	PB	5 PSI	1 PSI
0-60 PSI	PC	10 PSI	1 PSI
0-100 PSI	PD	10 PSI	1 PSI
0-160 PSI	PE	20 PSI	2 PSI
0-200 PSI	PF	20 PSI	2 PSI
0-300 PSI	PG	50 PSI	5 PSI
0-400 PSI	PH	50 PSI	5 PSI
0-600 PSI	PI	50 PSI	10 PSI
0-600 PSI	PI	50 PSI	10 PSI
0-1000 PSI	PK	100 PSI	10 PSI



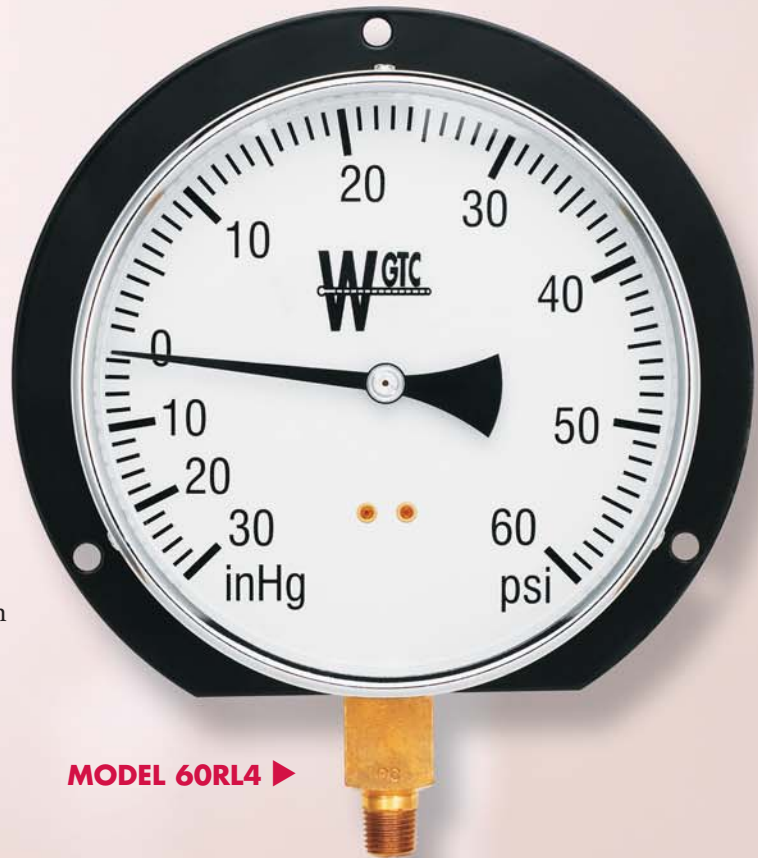
55

HOW TO ORDER - PLEASE SPECIFY THE FOLLOWING:	
MODEL #	RANGE
45RL4	2 digit code from table

6" GENERAL SERVICE GAUGE BRASS BOURDON TUBE AND SOCKET MODEL 60RL4

STANDARD FEATURES

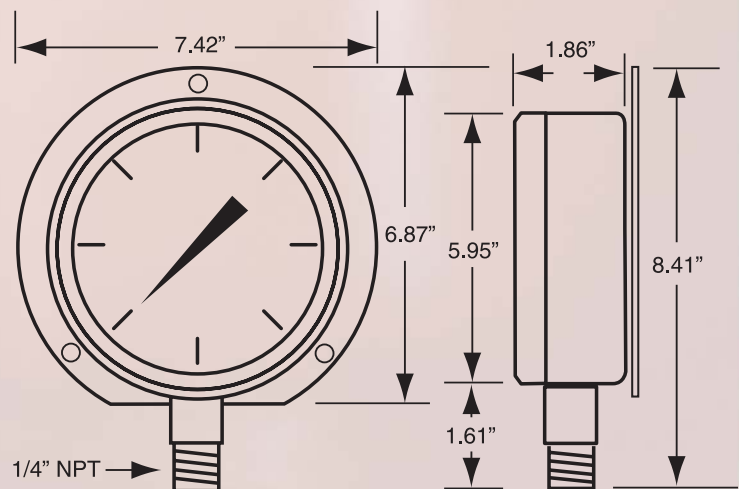
- 6" dial size
- Brass bourdon tube and socket
- Brass movement
- Heavy duty black steel case with back flange
- 1% full scale accuracy per ASME B40.1 Grade 1A
- 1/4" NPT bottom connection
- Plastic lens
- White scale with black graduations and numerals
- Suitable for water, air, oil, gas or any medium not corrosive to copper alloys
- Siphon required for steam applications



MODEL 60RL4 ▶

PRESSURE/VACUUM RANGES

RANGE	CODE	MAJOR INC.	MINOR INC.
30" /0 VAC	P2	5" HG	2" HG
30" -0-30	P4	10" HG/5 PSI	1" HG/1 PSI
30" -0-60	P5	10" HG/10 PSI	2" HG/1 PSI
30" -0-100	P6	10" HG/10 PSI	2" HG/1 PSI
30" -0-150	P7	10" HG/25 PSI	2" HG/2.5 PSI
0-15 PSI	PA	2 PSI	0.1 PSI
0-30 PSI	PB	5 PSI	1 PSI
0-60 PSI	PC	10 PSI	1 PSI
0-100 PSI	PD	10 PSI	1 PSI
0-160 PSI	PE	20 PSI	2 PSI
0-200 PSI	PF	20 PSI	2 PSI
0-300 PSI	PG	50 PSI	5 PSI
0-600 PSI	PI	100 PSI	10 PSI



HOW TO ORDER - PLEASE SPECIFY THE FOLLOWING:

MODEL #	RANGE
60RL4	2 digit code from table

DIAPHRAGM SEALS MODEL DW-T & DW-TF

Continuous Duty Welded Diaphragm

Diaphragm seals are used to prevent the process fluid from entering the instrument.

FEATURES:

- The Diaphragm on the DW-T and DW-TF model is welded to the top housing of the diaphragm seal to allow for removal of the gauge and diaphragm assembly without loss of fill fluid.
- Top housing steel or 316 stainless steel
- 316 stainless steel diaphragm*
- 1/4" NPT or 1/2" NPT female gauge connection
- Bottom housing steel or 316 stainless steel is standard
- Bottom housing thread size 1/4" thru 1" NPT**
- Available with 1/4" NPT flushing connection (Model DW-TF)
- Pressure rated to 2500 PSI

* Other diaphragm materials available.

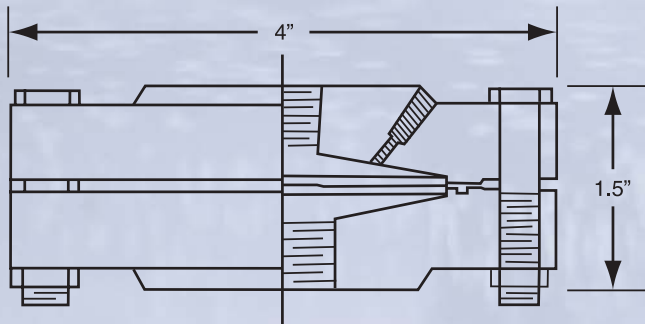
** Other process connection sizes available.

Contact factory for additional information.

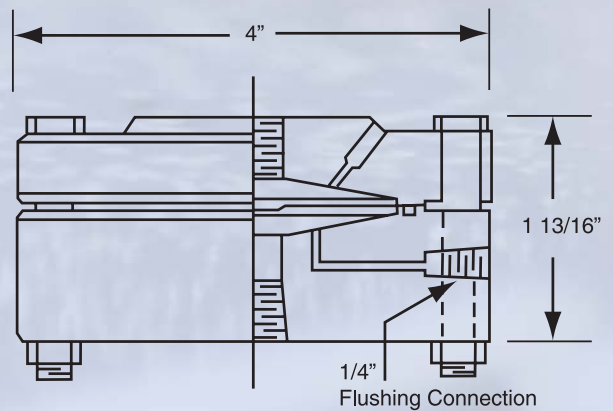


MODEL DW-T ▶

MODEL DW-T



MODEL DW-TF (with flushing connection)



HOW TO ORDER - PLEASE SPECIFY THE FOLLOWING:

MODEL #	GAUGE CONNECTION	PROCESS CONNECTION	TOP HOUSING MATERIAL	DIAPHRAGM MATERIAL	BOTTOM HOUSING MAT.	FILL FLUID
DW-T	4 = 1/4" NPT	1 = 1/4" NPT 3 = 3/4" NPT	3 = STEEL	4 = 316 ST. ST.	3 = STEEL	G = GLYCERIN
DW-TF	2 = 1/2" NPT	2 = 1/2" NPT 4 = 1" NPT	4 = 316 ST. ST.		4 = 316 ST. ST.	O = INST. OIL S = SILICONE

DIAPHRAGM SEALS MODEL DM-35 & DM-45

Mini Seal All Welded Design

(Model DM-35 for 1 1/2" to 4" dials and Model DM-45 for up to 4 1/2" dials.)

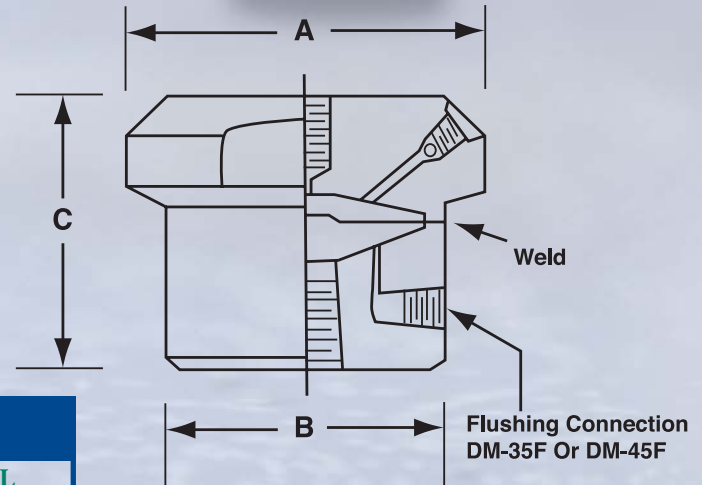
Diaphragm seals are used to prevent the process fluid from entering the instrument.

FEATURES:

- The Diaphragm on the DM-35 and DM-45 is welded to the upper and lower housing providing 1 piece design.
- All 316 stainless steel construction
- 1/4" NPT or 1/2" NPT gauge connection
- 1/4" NPT or 1/2" NPT process connection
- Available with 1/4" NPT flushing connection. (DM-35F & DM-45F)
- Pressure rated to 1000 PSI



◀ **MODEL DM-45**



HOW TO ORDER - PLEASE SPECIFY THE FOLLOWING: FOR GAUGES WITH DIALS 1 1/2" TO 4"

MODEL #	GAUGE CONNECTION	PROCESS CONNECTION	FILL FLUID
DM-35	4 = 1/4" NPT	4 = 1/4" NPT	G = GLYCERIN
DM-35F	2 = 1/2" NPT	2 = 1/2" NPT	O = INST. OIL S = SILICONE

HOW TO ORDER - PLEASE SPECIFY THE FOLLOWING: FOR GAUGES WITH DIALS 4 1/2"

MODEL #	GAUGE CONNECTION	PROCESS CONNECTION	FILL FLUID
DM-45	4 = 1/4" NPT	4 = 1/4" NPT	G = GLYCERIN
DM-45F	2 = 1/2" NPT	2 = 1/2" NPT	O = INST. OIL S = SILICONE

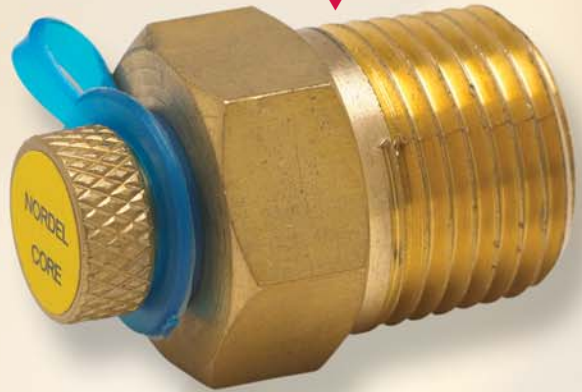
MODEL NO.	DIMENSIONS		
	A	B	C
DM-35	1.75"	1.50"	1.50"
DM-35F	1.75"	1.50"	1.75"
DM-45	2.50"	1.88"	1.50"
DM-45F	2.50"	1.88"	1.75"

PRESSURE / TEMPERATURE PLUGS MODELS PT25NOR & PT50NOR

STANDARD FEATURES

- Brass body
- Nordel® Core (dual core design)
- Plastic cap retainer
- Maximum pressure 1,000 PSI
- Operational temperature range 45°F to 275°F

MODEL PT50NOR
(1/2" NPT)



MODEL PT25NOR
(1/4" NPT)



PRESSURE/TEMPERATURE KITS

- (1) PT Case - Heavy duty plastic with foam insert
- (2) 2 1/2" Pressure gauges - Catalog No. 25TL
- (2) 1" Pocket thermometer - Catalog No. 1BK05
- (1) Gauge adapter - Catalog No. PT Gauge Adapter

TEE HANDLE COCK



In polished brass (suitable for pressure to 125 PSI hydraulic) Specify Type **A10** 1/4" NPT female connections. **A11** 1/4" NPT male x female

HEAVY DUTY TEE HANDLE



In polished brass for pressures to 200 psi hydraulic, 1/4" NPT female connections with hex shoulders.

LEVER HANDLE COCK



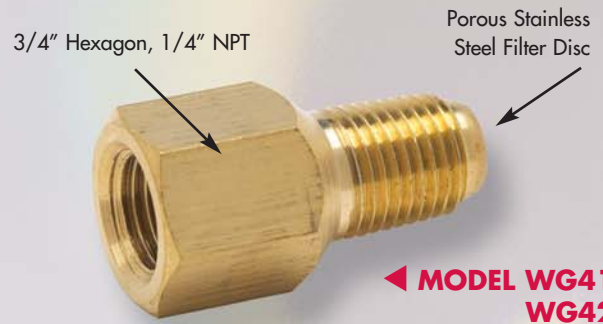
1/4" NPT female connections. In polished brass suitable for pressure to 200 psi hydraulic. Specify Type **A12**.

SIPHON



Schedule 40 Steel (for max. 500 PSI and 400°F) Specify Type **AO3I**. 1/4" NPT. Brass (for max. 250 PSI and 400°F specify type **AO3B**).

SNUBBER-FILTER TYPE



Brass with 1/8" thick micro-metallic stainless steel filter (max pressure 1500 psi) Available 1/4" NPT only. Specify **WG41** for air. Specify **WG42** for water or light oil. **WS41/WS42** Stainless steel body instead of brass.

BAR STOCK NEEDLE



Brass, 1/4" NPT female connections only. Suitable for 600 psi at 300° F maximum; for water, oil or gas service.