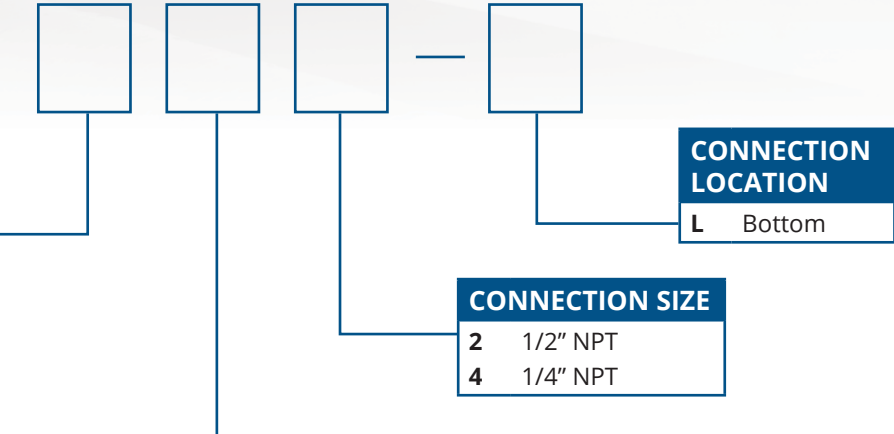


Larger Gauges

Part Numbering System



MODEL NUMBER	
HA14-4	4.5" Dial, Copper Alloy Wetted Parts, Aluminum Back Flanged Case
HA14-4ALT	4.5" Dial, Copper Alloy Wetted Parts, Aluminum Back Flanged Case
HA14-P	4.5" Dial, Copper Alloy Wetted Parts, Turret Case
HY14-P	4.5" Dial, Copper Alloy Wetted Parts, Turret Case (Glycerin Filled)



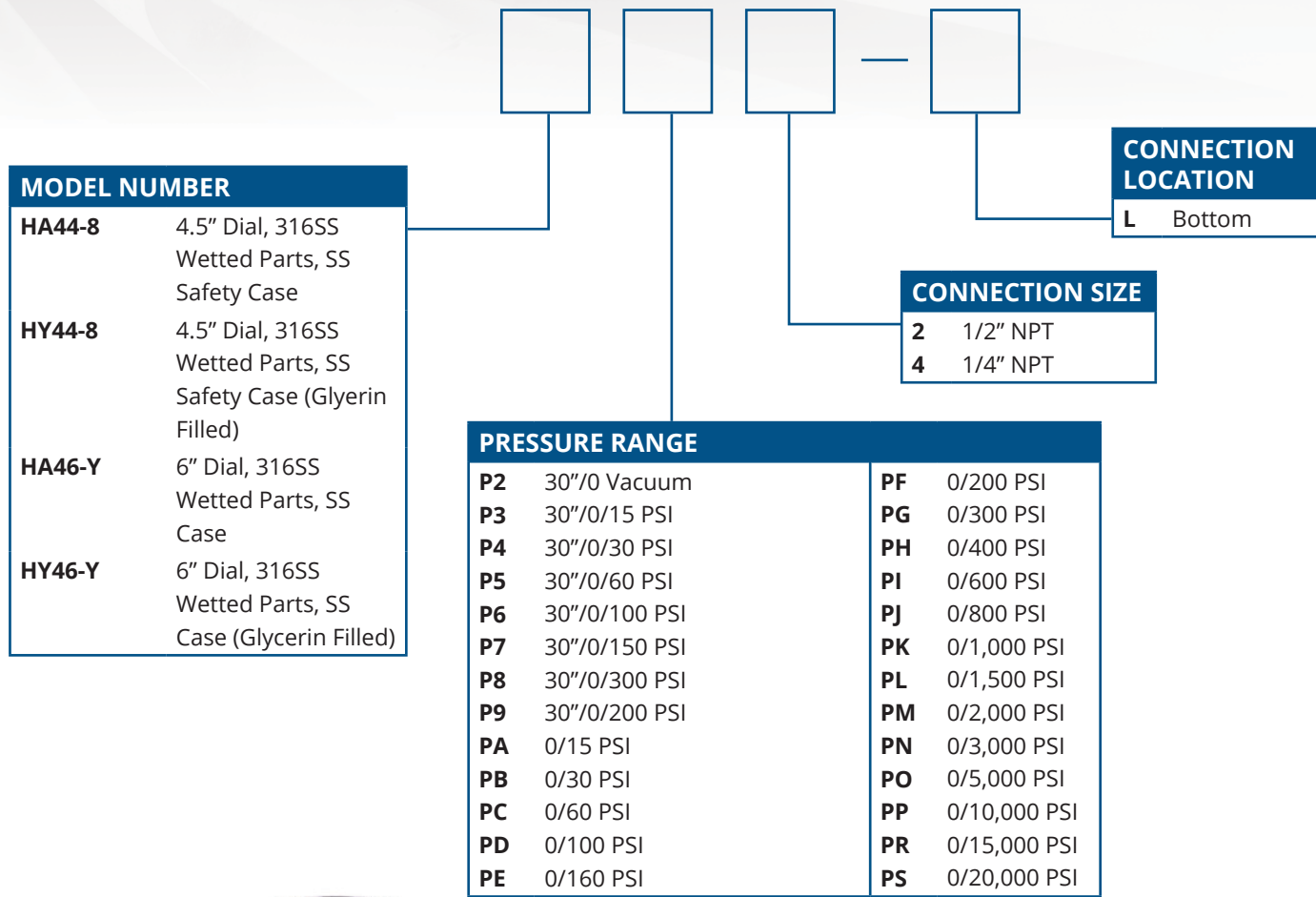
PRESSURE RANGE	
VC	30"/0 Vacuum
AA	0/15 PSI & 0/35 Feet H2O
AB	0/30 PSI & 0/70 Feet H2O
AC	0/60 PSI & 0/140 Feet H2O
AD	0/100 PSI & 0/230 Feet H2O
AE	0/160 PSI & 0/370 Feet H2O
AF	0/200 PSI & 0/460 Feet H2O
CA	30"/0/15 PSI
CB	30"/0/30 PSI
CC	30"/0/60 PSI
CD	30"/0/100 PSI
PC	0/15 PSI
PD	0/30 PSI
PE	0/60 PSI
PF	0/100 PSI
PG	0/160 PSI
PH	0/200 PSI
PJ	0/300 PSI
PK	0/400 PSI
PM	0/600 PSI
PP	0/1,000 PSI



EXAMPLE: HY14-PPF4-L	
HY14-P	4.5" Dial, Copper Alloy Wetted Parts, Turret Case (Glycerin Filled)
PF	0/100 PSI
4	1/4" NPT Connection
L	Bottom

Larger Gauges

Part Numbering System



EXAMPLE: HA46-YPD2-L

HA46-Y	6" Dial, 316SS Wetted Parts, SS Case
PD	0/100 PSI
2	1/2" NPT Connection
L	Bottom