

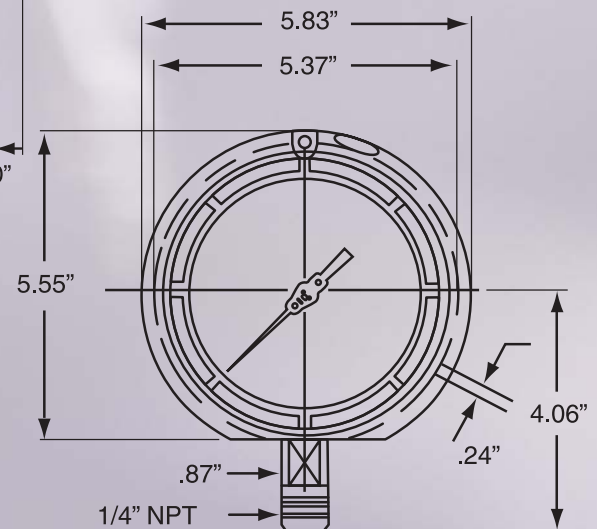
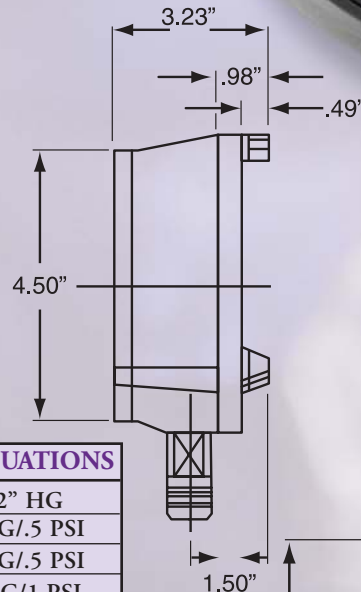
# 4 1/2" PROCESS GAUGE BRASS BOURDON TUBE AND SOCKET MODEL HA14-P & MODEL HY14-P

## STANDARD FEATURES

- 4 1/2" dial size
- Phosphor bronze bourdon tube and brass socket
- Heavy duty brass movement
- Solid front fiberglass reinforced thermoplastic case
- Available dry or factory glycerin filled
- Liquid fillable with optional 1-piece kit
- 1/2% full scale accuracy per ASME B40.1 Grade 2A
- Balanced micrometer adjustable pointer
- 1/4" NPT, bottom connection
- Acrylic lens



**MODEL HA14-P**



## STANDARD RANGES

RANGE	CODE	FIGURES	GRADUATIONS
30" / 0 VAC	VC	5" HG	0.2" HG
30" - 0-15	CA	10" HG / 5 PSI	1" HG / 5 PSI
30" - 0-30	CB	10" HG / 5 PSI	1" HG / 5 PSI
30" - 0-60	CC	10" HG / 10 PSI	2" HG / 1 PSI
30" - 0-100	CD	10" HG / 20 PSI	2" HG / 1 PSI
0-15 PSI	PC	3 PSI	0.2 PSI
0-30 PSI	PD	5 PSI	0.2 PSI
0-60 PSI	PE	5 PSI	0.5 PSI
0-100 PSI	PF	10 PSI	1 PSI
0-160 PSI	PG	20 PSI	1 PSI
0-200 PSI	PH	20 PSI	2 PSI
0-300 PSI	PJ	50 PSI	2 PSI
0-400 PSI	PK	50 PSI	2 PSI
0-600 PSI	PM	50 PSI	5 PSI
0-1000 PSI	PP	100 PSI	10 PSI

### HOW TO ORDER - PLEASE SPECIFY THE FOLLOWING:

MODEL #	RANGE	CONNECTION SIZE	CONNECTION LOCATION
<b>HA14-P</b> (dry case)	2 digit code from table	4 = 1/4" NPT	L = Lower
<b>HY14-P</b> (filled case)			