

3 1/2" UTILITY GAUGE BRASS BOURDON TUBE AND SOCKET MODEL 35TL4

STANDARD FEATURES

- 3 1/2" dial size
- Brass bourdon tube and socket
- Brass movement
- Black steel case with chrome bezel
- 1/4" NPT bottom connection
- Accuracy: 3/2/3% per ASME B40.1 Grade B
- White scale with black graduations and numerals
Metric readings in blue
- Suitable for water, air, oil, gas or any medium not corrosive to copper alloys
- Siphon required for steam applications

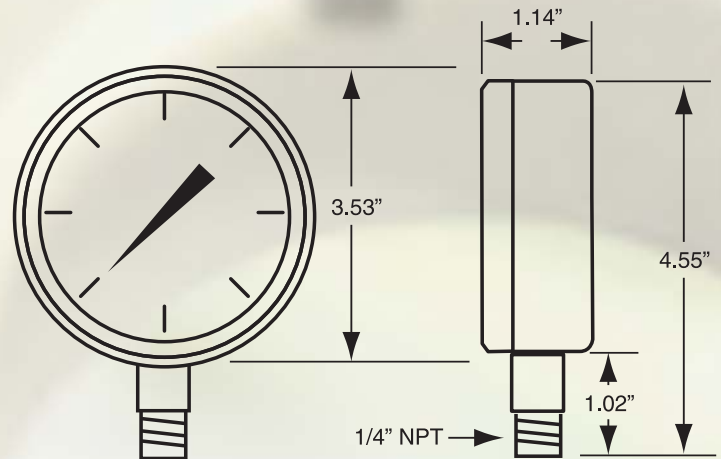


MODEL 35TL ▶

STANDARD RANGES

RANGE	CODE	FIGURES	GRADUATIONS
30"/0 VAC	P2	5" HG	0.5" HG
30"/0/15	P3	10"HG / 5 PSI	1"HG / .5 PSI
30"/0/30	P4	10"HG / 10 PSI	1"HG / 1 PSI
30"/0/60	P5	10"HG / 10 PSI	2"HG / 1 PSI
30"/0/100	P6	30"HG / 20 PSI	5"HG / 2 PSI
30"/0/150	P7	30"HG / 20 PSI	5"HG / 2 PSI
0/15 PSI	PA	2 PSI	0.2 PSI
0/30 PSI	PB	5 PSI	0.5 PSI
0/60 PSI	PC	10 PSI	1 PSI
0/100 PSI	PD	20 PSI	2 PSI
0/160 PSI	PE	20 PSI	2 PSI
0/200 PSI	PF	40 PSI	5 PSI
0/300 PSI	PG	50 PSI	5 PSI
0/400 PSI	PH	50 PSI	5 PSI
0/600 PSI	PI	100 PSI	10 PSI
0/1000 PSI	PK	200 PSI	20 PSI

Note: Standard scales read PSI, KPA and BAR.



HOW TO ORDER - PLEASE SPECIFY THE FOLLOWING:	
MODEL #	RANGE
35TL4	2 digit code from table