

4 1/2" PROCESS GAUGE BRASS BOURDON TUBE AND SOCKET MODEL HA14-4

STANDARD FEATURES

- 4 1/2" dial size
- Brass bourdon tube and socket
- Heavy duty stainless steel movement with underload and overload stops
- Solid front aluminum back flanged safety case
- 1/2% full scale accuracy per ASME B40.1 Grade 2A
- Balanced micrometer adjustable pointer
- 1/4" NPT bottom connection
- Glass lens

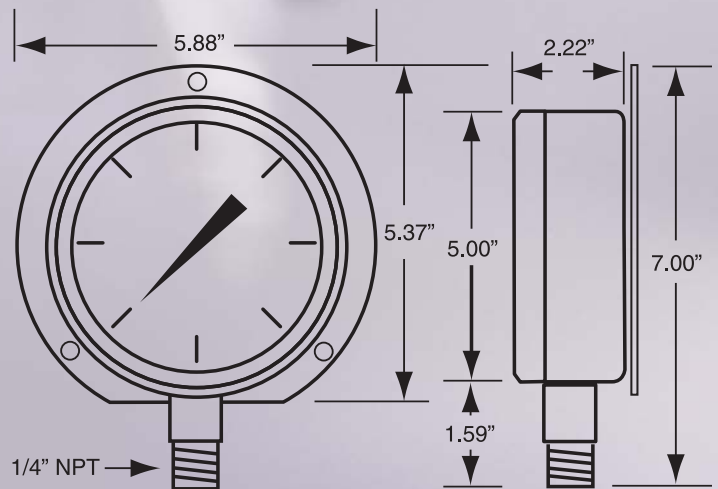


MODEL HA14-4 ▶

48

STANDARD RANGES

RANGE	CODE	FIGURES	GRADUATIONS
30"/0 VAC	VC	5" HG	0.2" HG
30" -0-15	CA	10"HG/5 PSI	1"HG/.5 PSI
30" -0-30	CB	10"HG/5 PSI	1"HG/.5 PSI
30" -0-60	CC	10"HG/10 PSI	2"HG/1 PSI
30" -0-100	CD	10"HG/20 PSI	2"HG/1 PSI
0-15 PSI	PC	3 PSI	0.2 PSI
0-30 PSI	PD	5 PSI	0.2 PSI
0-60 PSI	PE	5 PSI	0.5 PSI
0-100 PSI	PF	10 PSI	1 PSI
0-160 PSI	PG	20 PSI	1 PSI
0-200 PSI	PH	20 PSI	2 PSI
0-300 PSI	PJ	50 PSI	2 PSI
0-400 PSI	PK	50 PSI	2 PSI
0-600 PSI	PM	50 PSI	5 PSI
0-1000 PSI	PP	100 PSI	10 PSI



HOW TO ORDER - PLEASE SPECIFY THE FOLLOWING:

MODEL #	RANGE	CONNECTION SIZE	CONNECTION LOCATION
HA14-4	2 digit code from table	4 = 1/4" NPT	L = Lower